



www.meclube.com



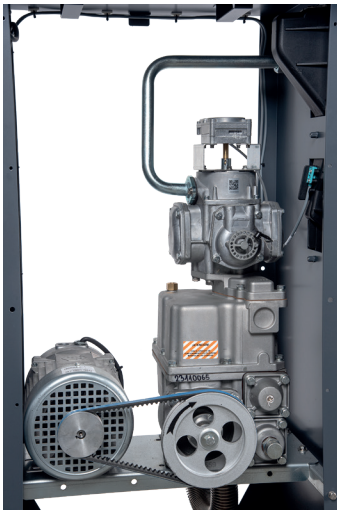
NEW

**DIESEL TRANSFER SYSTEM
SERVICE STATION**



Diesel transferring kit in solid steel structure for private use with corrosion protection treatment. It allows the quick and clean filling of the vehicles, as well as measuring and recording the dispatched quantities. It is equipped with volumetric gear pump, 4-piston volumetric flow meter, automatic nozzle with swiveling joint, nozzle holder with magnetic opening system to turn the pump on/off and side hose holder. Removable frontal panel for easy maintenance.

“Service Station” series composed by:



Self-priming volumetric rotary pumping unit with gears
The 230V 50 Hz electric motor is connected to the unit through V-belt pulleys. Supplied with flexible connection and 2” threaded flange

Self-priming volumetric rotary pumping unit with gears
The 400V 50 Hz electric motor is connected to the unit through V-belt pulleys. Supplied with flexible connection and 2” threaded flange

4-piston volumetric flow meter, with degasser that eliminates air in the measurement avoiding errors, tolerance of 0.2%



Art. 908-0616-040 Connection hose \varnothing 25 mm M-M 1” 4 m length



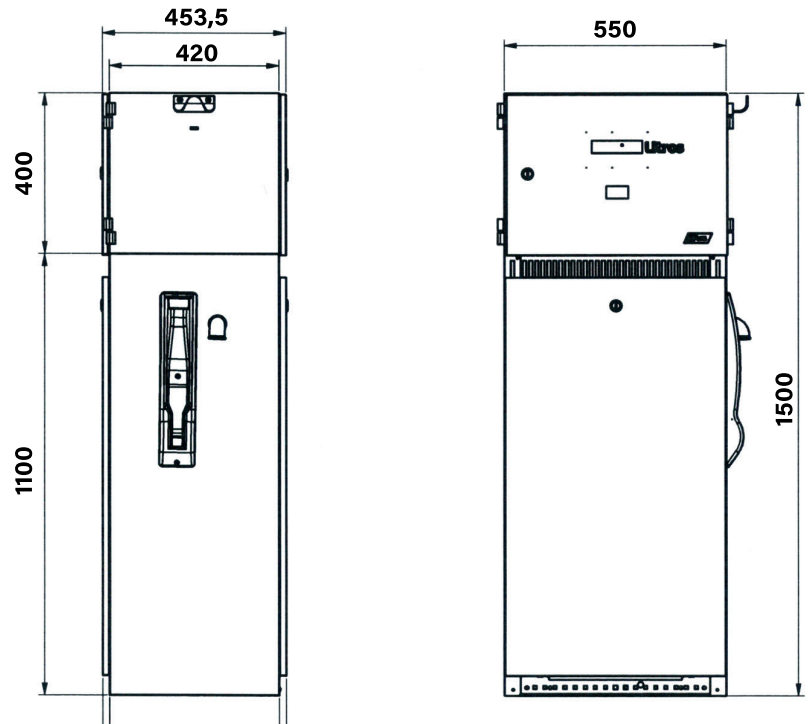
Art. 093-5250-080 Magnetic automatic diesel nozzle ZVA80 Flow rate 80 l/min




OPTIONAL:

Art. 094-5245-000 Water separating delivery filter for diesel 150 l/min

DIESEL TRANSFER SYSTEM "Service Station"



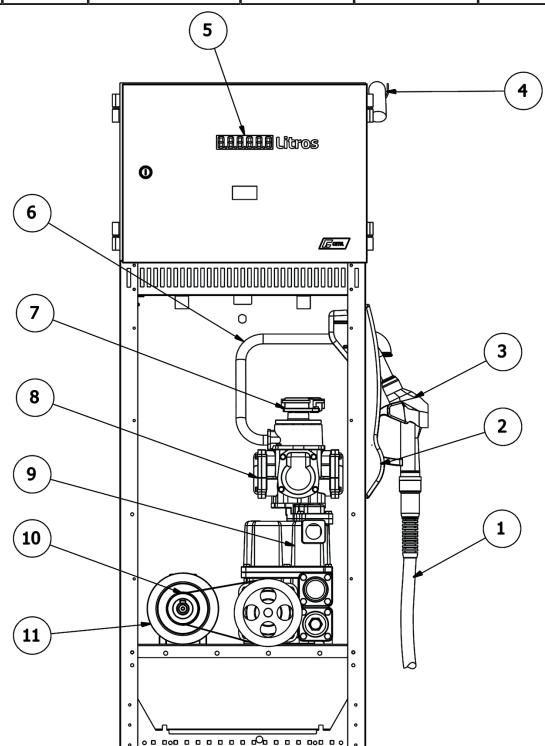
Ref.	Descrip.	Flow rate l/min	Voltage AC V./Hz DC Volt	Power W	Inlet-outlet BSPG	Conn. hose Ø	Nozzle	Flow meter	Duty cycle min	Weight Kg
										

090-5090-080	Service Station	80	230/50	600	F1" - F1"	25	ZVA80	YES	Contin.	160,00
090-5091-080	Service Station	80	400/50	750	F1" - F1"	25	ZVA80	YES	Contin.	160,00

Ref.	Packaging (mm)	NR. of boxes
------	----------------	--------------

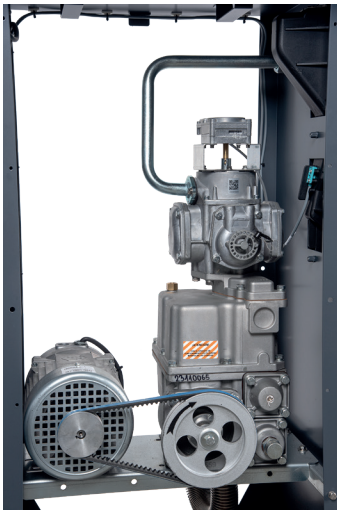
090-5090-080	476X640X1510	1
090-5091-080	476X640X1510	1

1	Delivery hose
2	Magnetic nozzle holder
3	Automatic nozzle
4	Hose holder
5	Digital Display
6	Delivery hose
7	Encoder
8	Volumetric flow meter
9	Volumetric rotary pumping unit
10	V-belt transmission
11	Electric motor



Diesel transferring kit in solid steel structure for private use with corrosion protection treatment. It allows the quick and clean filling of the vehicles, as well as measuring and recording the dispatched quantities. It is equipped with volumetric gear pump, 4-piston volumetric flow meter, automatic nozzle with swiveling joint, nozzle holder with magnetic opening system to turn the pump on/off and side hose holder. Removable frontal panel for easy maintenance. It permits the following functions: the identification of the authorised users, the pre-selection of dispensed quantity, the detection of the total consumption and the single-user consumption, the storage of the deliveries and the management of 200 users. The system is equipped with manager-key to quickly start the dispensing process.

“Pro-Service Station” series composed by:



Self-priming volumetric rotary pumping unit with gears
The 230V 50 Hz electric motor is connected to the unit through V-belt pulleys. Supplied with flexible connection and 2” threaded flange

Self-priming volumetric rotary pumping unit with gears
The 400V 50 Hz electric motor is connected to the unit through V-belt pulleys. Supplied with flexible connection and 2” threaded flange

4-piston volumetric flow meter, with degasser that eliminates air in the measurement avoiding errors, tolerance of 0.2%



Art. 908-0616-040 Connection hose \varnothing 25 mm M-M 1” 4 m length



Art. 093-5250-080 Magnetic automatic diesel nozzle ZVA80 Flow rate 80 l/min



Art. 092-5200-230 Electronic control unit MecGest 110/230V 50Hz Software included



Art. 092-5220-000 Codified communication kit USB key reader for PC



Art. 092-5300-000 Red Key- Manager - nr. 1 pc.



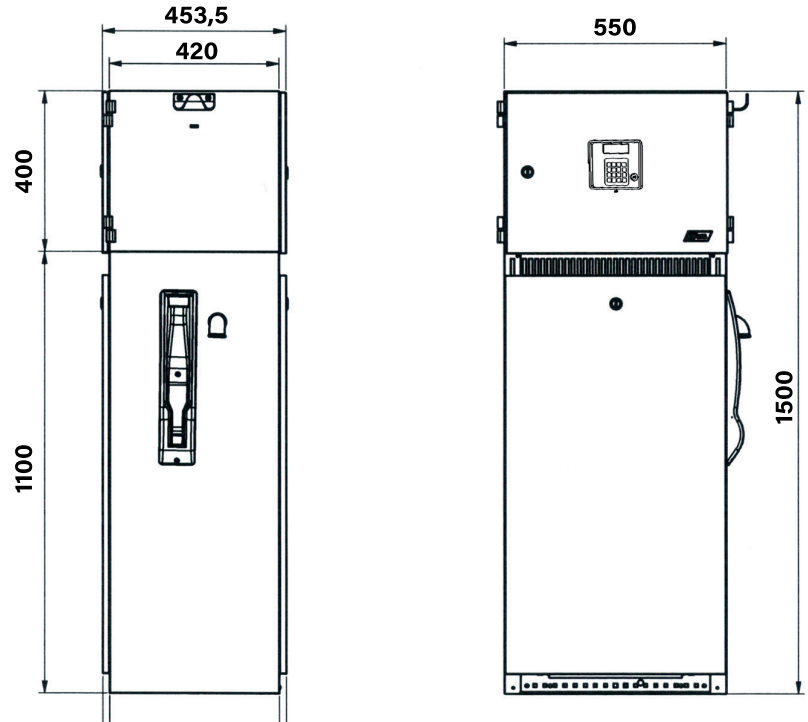
OPTIONAL:


Art. 092-5300-010 Kit blue keys - Users - nr. 10 pcs



Art. 094-5245-000 Water separating delivery filter for diesel 150 l/min

DIESEL TRANSFER SYSTEM "Pro Service Station"



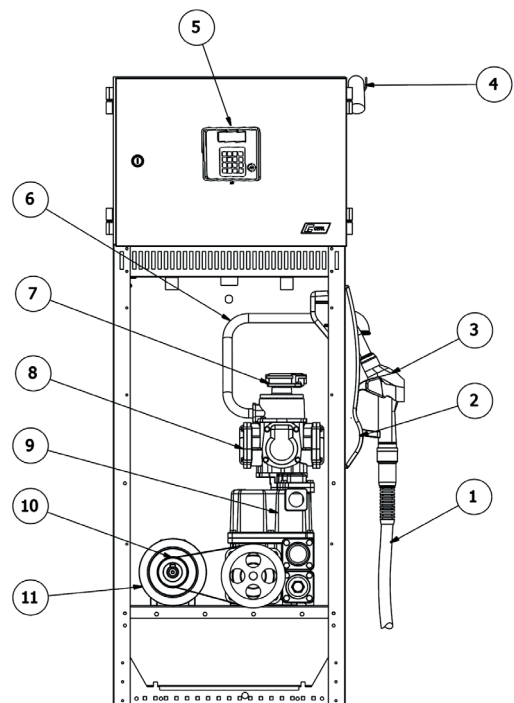
Ref.	Descrip.	Flow rate l/min	Voltage AC V./Hz DC Volt	Power W	Inlet-outlet BSPG	Conn. hose Ø	Nozzle	Flow meter	Duty cycle min	Weight Kg
										

090-5092-080	Pro-Service Station	80	230/50	600	F1" - F1"	25	ZVA80	YES	Contin.	160,00
090-5093-080	Pro-Service Station	80	400/50	750	F1" - F1"	25	ZVA80	YES	Contin.	160,00

Ref.	Packaging (mm)	NR. of boxes
------	----------------	--------------

090-5092-080	476X640X1510	1
090-5093-080	476X640X1510	1

1	Delivery hose
2	Magnetic nozzle holder
3	Automatic nozzle
4	Hose holder
5	Digital Display
6	Delivery hose
7	Encoder
8	Volumetric flow meter
9	Volumetric rotary pumping unit
10	V-belt transmission
11	Electric motor





DIESEL TRANSFER SYSTEM



DIESEL TRANSFER SYSTEM





MECLUBE srl

Strada Pavesa, 13 - Loc. Bondeno
46023- Gonzaga (MN) - ITALIA

Tel. +39 0376 595006 - +39 0376 595035

Fax +39 0376 54144
info@meclube.com

www.meclube.com