





Electric diaphragm self-priming kit pump for DEF-AdBlue® for filling vehicles from the IBC tanks. The stainless steel support bracket allows the kit's fixing to the safety metal grid.

“Kit DEF-AdBlue® IBC” series composed by:



Art. 098-6500-230 Diaphragm electric pump for DEF-AdBlue® 230V 50 Hz 40 l/min cable 2 m length

Art. 098-6500-115 Diaphragm electric pump for DEF-AdBlue® 115V 60 Hz 40 l/min cable 2 m length



Art. 098-6500-012 Diaphragm electric pump for DEF-AdBlue® 12V 34 l/min cable 4 m length with pincers



Art. 099-6600-000 Suction connections SEC



Art. 099-6010-000 External suction connections for IBC S60X6



Art. 921-0500-060 Antistatic rubber hose EPDM 20 bar G 3/4” 6 m length (19x27)



Art. 912-0519-011 PU spiral suction hose d.19x27 1,1 m length



Art. 099-6500-000 Suction hose with plug he 2” BSP SEC connection



Art. 099-5199-000 Manual plastic nozzle “AD90” Flow rate 90 l/min



Art. 099-5205-000 Automatic plastic nozzle with stainless steel end “AP80” 80 l/min



OPTIONAL:

Art. 099-5240-020 DEF-AdBlue® filter 20µ 60 l/min



ELECTRIC DEF-AdBlue® KIT FOR IBC



SEC



S60x6

Ref.	Descrip.	Flow rate	Voltage	Power	Inlet-outlet	Conn. hose	Nozzle	Adaptor	Weight	Packaging
		l/min	AC V/Hz DC Volt	W	BSPG	Ø			kg	mm

097-5500-230	Kit DEF	40	230/50	370	3/4"-3/4"	19x27	Man.AD90	SEC	13,50	550X400X320
097-5501-230	Kit DEF	40	230/50	370	3/4"-3/4"	19x27	Aut.AP80	SEC	14,25	550X400X320

097-5510-230	Kit DEF	40	230/50	370	3/4"-3/4"	19x27	Man.AD90	S60X6	14,00	550X400X320
097-5511-230	Kit DEF	40	230/50	370	3/4"-3/4"	19x27	Aut.AP80	S60X6	14,75	550X400X320

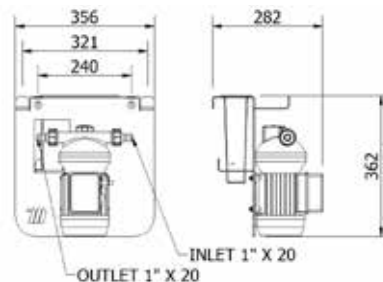
097-5500-115	Kit DEF	40	115/60	370	3/4"-3/4"	19x27	Man.AD90	SEC	13,50	550X400X320
097-5501-115	Kit DEF	40	115/60	370	3/4"-3/4"	19x27	Aut.AP80	SEC	14,25	550X400X320

097-5510-115	Kit DEF	40	115/60	370	3/4"-3/4"	19x27	Man.AD90	S60X6	13,50	550X400X320
097-5511-115	Kit DEF	40	115/60	370	3/4"-3/4"	19x27	Aut.AP80	S60X6	14,25	550X400X320

097-5500-012	Kit DEF	34	12	180	3/4"-3/4"	19x27	Man.AD90	SEC	12,00	550X400X320
097-5501-012	Kit DEF	34	12	180	3/4"-3/4"	19x27	Aut.AP80	SEC	12,75	550X400X320

097-5510-012	Kit DEF	34	12	180	3/4"-3/4"	19x27	Man.AD90	S60X6	12,00	550X400X320
097-5511-012	Kit DEF	34	12	180	3/4"-3/4"	19x27	Aut.AP80	S60X6	12,75	550X400X320

PUMP DUTY CYCLE min: S2 20



Electric diaphragm self-priming kit pump for DEF-AdBlue® for filling vehicles from the IBC tanks. The stainless steel support bracket allows the kit's fixing to the safety metal grid.

“Kit DEF-AdBlue® IBC” series composed by:



Art. 098-6500-230 Diaphragm electric pump for DEF-AdBlue® 230V 50 Hz 40 l/min cable 2 m length



Art. 098-6500-115 Diaphragm electric pump for DEF-AdBlue® 115V 60 Hz 40 l/min cable 2 m length



Art. 098-6500-012 Diaphragm electric pump for DEF-AdBlue® 12V 34 l/min cable 4 m length with pincers



Art. 099-5124-000 Digital flow meter MEC 24 min-max flow rate 5-120 l/min.



Art. 099-6600-000 Suction connections SEC



Art. 099-6010-000 External suction connections for IBC S60X6



Art. 921-0500-060 Antistatic rubber hose EPDM 20 bar G 3/4” 6 m length (19x27)



Art. 912-0519-011 PU spiral suction hose d.19x27 1,1 m length



Art. 099-6500-000 Suction hose 2” BSP SEC connection



Art. 099-5199-000 Manual plastic nozzle “AD90” Flow rate 90 l/min



Art. 099-5205-000 Automatic plastic nozzle with stainless steel end “AP80” 80 l/min

OPTIONAL:

Art. 099-5240-020 DEF-AdBlue® filter 20µ 60 l/min

ELECTRIC DEF-AdBlue® KIT FOR IBC



SEC



S60x6

Ref.	Descrip.	Flow rate	Voltage	Power	Inlet-outlet	Conn. hose	Nozzle	Adaptor	Flow meter	Weight	Packaging
		l/min	ACV/Hz DC Volt	W	BSPG	Ø				kg	mm

097-5600-230	Kit DEF	40	230/50	370	3/4"-3/4"	19x27	Man.AD90	SEC	YES	14,00	550X400X320
097-5601-230	Kit DEF	40	230/50	370	3/4"-3/4"	19x27	Aut.AP80	SEC	YES	14,75	550X400X320

097-5610-230	Kit DEF	40	230/50	370	3/4"-3/4"	19x27	Man.AD90	S60X6	YES	14,50	550X400X320
097-5611-230	Kit DEF	40	230/50	370	3/4"-3/4"	19x27	Aut.AP80	S60X6	YES	15,25	550X400X320

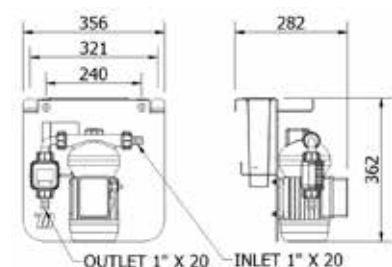
097-5600-115	Kit DEF	40	115/60	370	3/4"-3/4"	19x27	Man.AD90	SEC	YES	14,00	550X400X320
097-5601-115	Kit DEF	40	115/60	370	3/4"-3/4"	19x27	Aut.AP80	SEC	YES	14,75	550X400X320

097-5610-115	Kit DEF	40	115/60	370	3/4"-3/4"	19x27	Man.AD90	S60X6	YES	14,00	550X400X320
097-5611-115	Kit DEF	40	115/60	370	3/4"-3/4"	19x27	Aut.AP80	S60X6	YES	14,75	550X400X320

097-5600-012	Kit DEF	34	12	180	3/4"-3/4"	19x27	Man.AD90	SEC	YES	12,50	550X400X320
097-5601-012	Kit DEF	34	12	180	3/4"-3/4"	19x27	Aut.AP80	SEC	YES	13,25	550X400X320

097-5610-012	Kit DEF	34	12	180	3/4"-3/4"	19x27	Man.AD90	S60X6	YES	12,50	550X400X320
097-5611-012	Kit DEF	34	12	180	3/4"-3/4"	19x27	Aut.AP80	S60X6	YES	13,25	550X400X320

PUMP DUTY CYCLE min: S2 20



Electric diaphragm self-priming kit pump for DEF-AdBlue® for filling vehicles from the IBC tanks. The stainless steel support bracket allows the kit's fixing to the safety metal grid.

“Kit DEF-AdBlue® IBC” series composed by:



Art. 098-6500-230 Diaphragm electric pump for DEF-AdBlue® 230V 50 Hz 40 l/min cable 2 m length



Art. 098-6500-115 Diaphragm electric pump for DEF-AdBlue® 115V 60 Hz 40 l/min cable 2 m length



Art. 098-6500-012 Diaphragm electric pump for DEF-AdBlue® 12V 34 l/min cable 4 m length with pincers

Art. 099-5124-000 Digital flow meter MEC 24 min-max flow rate 5-120 l/min.



Art. 099-6600-000 Suction connections SEC



Art. 099-6010-000 External suction connections for IBC S60X6



Art. 921-0500-060 Antistatic rubber hose EPDM 20 bar G 3/4” 6 m length (19x27)



Art. 912-0519-011 PU spiral suction hose d.19x27 1,1 m length



Art. 099-6500-000 Suction hose 2” BSP SEC connection



Art. 099-5199-000 Manual plastic nozzle “AD90” Flow rate 90 l/min



Art. 099-5205-000 Automatic plastic nozzle with stainless steel end “AP80” 80 l/min



Art. 099-5240-020 DEF-AdBlue® filter 20µ 60 l/min

ELECTRIC DEF-AdBlue® KIT FOR IBC



SEC



S60x6

Ref.	Descrip.	Flow rate l/min	Voltage ACV/Hz DC Volt	Power W	Inlet-outlet BSPG	Conn. hose Ø	Nozzle	Adaptor	Flow meter	Weight kg	Packaging mm
------	----------	--------------------	------------------------------	------------	----------------------	-----------------	--------	---------	------------	--------------	-----------------

097-5620-230	Kit DEF	40	230/50	370	3/4"-3/4"	19x27	Man.AD90	SEC	YES	14,90	550X400X320
097-5621-230	Kit DEF	40	230/50	370	3/4"-3/4"	19x27	Aut.AP80	SEC	YES	15,65	550X400X320

097-5630-230	Kit DEF	40	230/50	370	3/4"-3/4"	19x27	Man.AD90	S60X6	YES	15,40	550X400X320
097-5631-230	Kit DEF	40	230/50	370	3/4"-3/4"	19x27	Aut.AP80	S60X6	YES	16,15	550X400X320

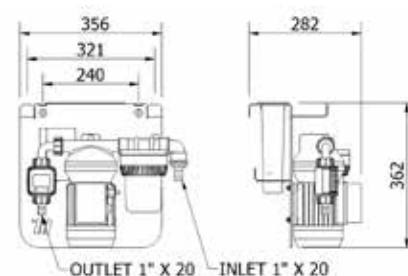
097-5620-115	Kit DEF	40	115/60	370	3/4"-3/4"	19x27	Man.AD90	SEC	YES	14,90	550X400X320
097-5621-115	Kit DEF	40	115/60	370	3/4"-3/4"	19x27	Aut.AP80	SEC	YES	15,65	550X400X320

097-5630-115	Kit DEF	40	115/60	370	3/4"-3/4"	19x27	Man.AD90	S60X6	YES	14,90	550X400X320
097-5631-115	Kit DEF	40	115/60	370	3/4"-3/4"	19x27	Aut.AP80	S60X6	YES	15,65	550X400X320

097-5620-012	Kit DEF	34	12	180	3/4"-3/4"	19x27	Man.AD90	SEC	YES	13,40	550X400X320
097-5621-012	Kit DEF	34	12	180	3/4"-3/4"	19x27	Aut.AP80	SEC	YES	14,15	550X400X320

097-5630-012	Kit DEF	34	12	180	3/4"-3/4"	19x27	Man.AD90	S60X6	YES	13,40	550X400X320
097-5631-012	Kit DEF	34	12	180	3/4"-3/4"	19x27	Aut.AP80	S60X6	YES	14,15	550X400X320

PUMP WORKING CYCLE min: S2 20



DEF-AdBlue® Kit suitable for filling vehicles from the barrels. Composed by: stainless steel support bracket for barrels fixing, self-priming electric diaphragm pump, manual or automatic nozzle, delivery EPDM hose 6 m length, and suction connections.

“Barrel Kit” series composed by:



Art. 098-6500-230 Diaphragm electric pump for DEF-AdBlue® 230V 50 Hz 40 l/min cable 2 m length

Art. 098-6500-115 Diaphragm electric pump for DEF-AdBlue® 115V 60 Hz 40 l/min cable 2 m length



Art. 098-6500-012 Diaphragm electric pump for DEF-AdBlue® 12V 34 l/min cable 4 m length with pincers



Art. 099-6504-000 Suction kit AF2” 56x4 1” BSP



Art. 921-0500-060 Antistatic hose EPDM 20 bar G 3/4” 6 m length (19x27)



Art. 912-0519-011 PU spiral suction hose d.19x27 1,1 m length



Art. 099-5199-000 Manual plastic nozzle “AD90” Flow rate 90 l/min



Art. 099-5205-000 Automatic plastic nozzle with stainless steel end “AP80” 80 l/min

ELECTRIC PUMPS KIT FOR DEF-AdBlue® TRANSFER “Barrel Kit”



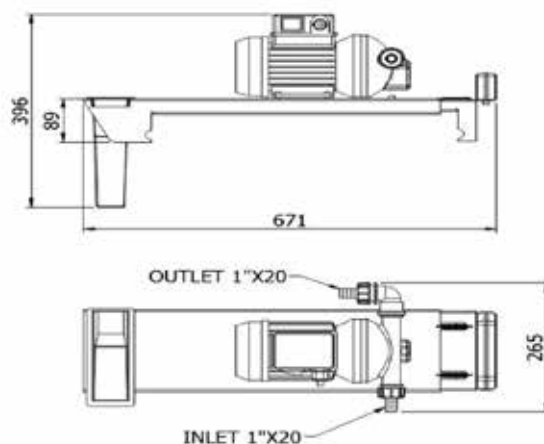
Ref.	Descrip.	Flow rate	Voltage	Power	Inlet-outlet	Conn. hose	Nozzle	Suction kit	Weight	Packaging
		l/min	AC V./Hz DC Volt	W	BSPG	Ø			kg	mm

097-5700-230	Barrel Kit	40	230/50	370	3/4"-3/4"	19x27	Man.AD90	YES	18,00	760X760X265
097-5701-230	Barrel Kit	40	230/50	370	3/4"-3/4"	19x27	Aut.AP80	YES	18,75	760X760X265

097-5700-115	Barrel Kit	40	115/60	370	3/4"-3/4"	19x27	Man.AD90	YES	18,00	760X760X265
097-5701-115	Barrel Kit	40	115/60	370	3/4"-3/4"	19x27	Aut.AP80	YES	18,75	760X760X265

097-5700-012	Barrel Kit	34	12	180	3/4"-3/4"	19x27	Man.AD90	YES	16,50	760X760X265
097-5701-012	Barrel Kit	34	12	180	3/4"-3/4"	19x27	Aut.AP80	YES	17,25	760X760X265

PUMP DUTY CYCLE min: S2 20



DEF-AdBlue® Kit suitable for filling vehicles from the barrels. Composed by:
stainless steel support bracket for barrels fixing, self-priming electric diaphragm pump, manual or automatic nozzle, delivery EPDM hose 6 m length, and suction connections

“Barrel Kit” series composed by:



Art. 098-6500-230 Diaphragm electric pump for DEF-AdBlue® 230V 50 Hz 40 l/min
cable 2 m length

Art. 098-6500-115 Diaphragm electric pump for DEF-AdBlue® 115V 60 Hz 40 l/min
cable 2 m length



Art. 098-6500-012 Diaphragm electric pump for DEF-AdBlue® 12V 34 l/min
cable 4 m length mtwith pincers



Art. 099-5124-000 Digital flow meter MEC 24 min-max flow rate min-max 5-120 l/min.



Art. 099-6504-000 Suction kit AF2” 56x4 1” BSP



Art. 921-0500-060 Antistatic hose EPDM 20 bar G 3/4” 6 m length (19x27)



Art. 912-0519-011 PU spiral suction hose d.19x27 1,1 m length



Art. 099-5199-000 Manual plastic nozzle “AD90” Flow rate 90 l/min



Art. 099-5205-000 Automatic plastic nozzle with stainless steel end “AP80” 80 l/min

ELECTRIC PUMPS KIT FOR DEF-AdBlue® TRANSFER “Barrel Kit”



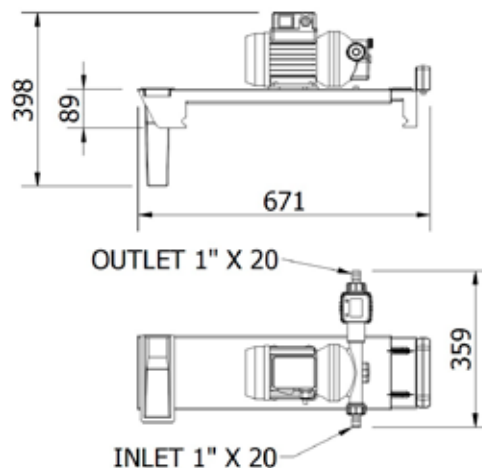
Ref.	Descrip.	Flow rate	Voltage	Power	Inlet-outlet	Conn. hose	Nozzle	Suction kit	Flow meter	Weight	Packaging
		l/min	AC V./Hz DC Volt	W	BSPG	Ø				kg	mm

097-5710-230	Barrel Kit	40	230/50	370	3/4"-3/4"	19x27	Man.AD90	YES	YES	18,35	760X760X265
097-5711-230	Barrel Kit	40	230/50	370	3/4"-3/4"	19x27	Aut.AP80	YES	YES	19,10	760X760X265

097-5710-115	Barrel Kit	40	115/60	370	3/4"-3/4"	19x27	Man.AD90	YES	YES	18,35	760X760X265
097-5711-115	Barrel Kit	40	115/60	370	3/4"-3/4"	19x27	Aut.AP80	YES	YES	19,10	760X760X265

097-5710-012	Barrel Kit	34	12	180	3/4"-3/4"	19x27	Man.AD90	YES	YES	16,85	760X760X265
097-5711-012	Barrel Kit	34	12	180	3/4"-3/4"	19x27	Aut.AP80	YES	YES	17,60	760X760X265

PUMP DUTY CYCLE min: S2 20



DEF-AdBlue® kit suitable for filling vehicles from the barrels.

Composed by: electric diaphragm self-priming pump, manual or automatic nozzle, delivery EPDM hose 6 m length, suction hose with valve+filter.

“Portable kit DEF-AdBlue®” series composed by:



Art. 098-6500-230 Diaphragm electric pump for DEF-AdBlue® 230V 50 Hz 40 l/min cable 2 m length

Art. 098-6500-115 Diaphragm electric pump for DEF-AdBlue® 115V 60 Hz 40 l/min cable 2 m length



Art. 098-6500-012 Diaphragm electric pump for DEF-AdBlue® 12V 34 l/min cable 4 m length with pincers

Art. 098-6500-024 Diaphragm electric pump for DEF-AdBlue® 24V 34 l/min cable 4 m length with pincers



Art. 099-6512-015 Kit PU spiral suction hose d.19x27 1,5 m length



Art. 921-0500-060 Antistatic hose EPDM 20 bar G 3/4” 6 m length (19x27)



Art. 099-5199-000 Manual plastic nozzle “AD90” Flow rate 90 l/min



Art. 099-5205-000 Automatic plastic nozzle with stainless steel end “AP80” 80 l/min

PORTABLE ELECTRIC PUMPS KIT FOR DEF-AdBlue®



Ref.	Descrip.	Flow rate	Voltage	Power	Inlet-outlet	Conn. hose	Nozzle	Valve+filter	Weight	Packaging
		l/min	AC V./Hz DC Volt	W	BSPG	Ø			kg	mm

097-5800-230	Portable kit	40	230/50	370	3/4"-3/4"	19x27	Man.AD90	Valve+filter	11,50	410X400X320
097-5801-230	Portable kit	40	230/50	370	3/4"-3/4"	19x27	Aut.AP80	Valve+filter	12,25	410X400X320

097-5800-115	Portable kit	40	115/60	370	3/4"-3/4"	19x27	Man.AD90	Valve+filter	11,50	410X400X320
097-5801-115	Portable kit	40	115/60	370	3/4"-3/4"	19x27	Aut.AP80	Valve+filter	12,25	410X400X320

097-5800-012	Portable kit	34	12	180	3/4"-3/4"	19x27	Man.AD90	Valve+filter	10,00	410X400X320
097-5801-012	Portable kit	34	12	180	3/4"-3/4"	19x27	Aut.AP80	Valve+filter	10,75	410X400X320

097-5800-024	Portable kit	34	24	180	3/4"-3/4"	19x27	Man.AD90	Valve+filter	10,00	410X400X320
097-5801-024	Portable kit	34	24	180	3/4"-3/4"	19x27	Aut.AP80	Valve+filter	10,75	410X400X320

PUMP DUTY CYCLE min: S2 20

DEF-AdBlue® kit suitable for filling vehicles from the barrels. Composed by: electric diaphragm self-priming pump, manual or automatic nozzle, delivery EPDM hose 6 m length, suction hose with valve+filter.

“Portable kit DEF-AdBlue®” series composed by:



Art. 098-6500-230 Diaphragm electric pump for DEF-AdBlue® 230V 50 Hz 40 l/min cable 2 m length

Art. 098-6500-115 Diaphragm electric pump for DEF-AdBlue® 115V 60 Hz 40 l/min cable 2 m length



Art. 098-6500-012 Diaphragm electric pump for DEF-AdBlue® 12V 34 l/min cable 4 m length with pincers

Art. 098-6500-024 Diaphragm electric pump for DEF-AdBlue® 24V 34 l/min cable 4 m length with pincers



Art. 099-5124-000 Digital flow meter MEC 24 min-max flow rate min-max 5-120 l/min.



Art. 099-6512-015 Kit PU spiral suction hose d.19x27 1,5 m length



Art. 921-0500-060 Antistatic hose EPDM 20 bar G 3/4" 6 m length (19x27)



Art. 099-5199-000 Manual plastic nozzle “AD90” Flow rate 90 l/min



Art. 099-5205-000 Automatic plastic nozzle with stainless steel end “AP80” 80 l/min

PORTABLE ELECTRIC PUMPS KIT FOR DEF-AdBlue®



Ref.	Descrip.	Flow rate	Voltage	Power	Inlet-outlet	Conn. hose	Nozzle	Valve+filter	Flow meter	Weight	Packaging
		l/min	AC V./Hz DC Volt	W	BSPG	Ø				kg	mm

097-5810-230	Portable kit	40	230/50	370	3/4"-3/4"	19x27	Man.AD90	Valve+filter	YES	11,85	410X400X320
097-5811-230	Portable kit	40	230/50	370	3/4"-3/4"	19x27	Aut.AP80	Valve+filter	YES	12,60	410X400X320

097-5810-115	Portable kit	40	115/60	370	3/4"-3/4"	19x27	Man.AD90	Valve+filter	YES	11,85	410X400X320
097-5811-115	Portable kit	40	115/60	370	3/4"-3/4"	19x27	Aut.AP80	Valve+filter	YES	12,60	410X400X320

097-5810-012	Portable kit	34	12	180	3/4"-3/4"	19x27	Man.AD90	Valve+filter	YES	10,35	410X400X320
097-5811-012	Portable kit	34	12	180	3/4"-3/4"	19x27	Aut.AP80	Valve+filter	YES	11,10	410X400X320

097-5810-024	Portable kit	34	24	180	3/4"-3/4"	19x27	Man.AD90	Valve+filter	YES	10,35	410X400X320
097-5811-024	Portable kit	34	24	180	3/4"-3/4"	19x27	Aut.AP80	Valve+filter	YES	11,10	410X400X320

PUMP DUTY CYCLE min: S2 20

Solid cabinet in varnished anti-corrosion steel equipped with key closure. The dispenser pump group lies inside with anti-vibration supports. Composed by: electric diaphragm self-priming pump, automatic nozzle, delivery EPDM hose 6 m length, suction hose with valve+filter.

“Meclube Box DEF-AdBlue®” series composed by:



Art. 098-6500-230 Diaphragm electric pump for DEF-AdBlue® 230V 50 Hz 40 l/min cable 2 m length

Art. 098-6500-115 Diaphragm electric pump for DEF-AdBlue® 115V 60 Hz 40 l/min cable 2 m length



Art. 098-6500-012 Diaphragm electric pump for DEF-AdBlue® 12V 34 l/min cable 4 m length with pincers



Art. 099-5124-000 Digital flow meter MEC 24 min-max flow rate min-max 5-120 l/min.



Art. 099-6512-015 Kit PU spiral suction hose d.19x27 1,5 m length



Art. 921-0500-060 Antistatic hose EPDM 20 bar G 3/4” 6 m length (19x27)



Art. 099-5205-000 Automatic plastic nozzle with stainless steel end “AP80” 80 l/min



Art. 099-5210-000 Automatic stainless steel nozzle “AD80” Flow rate 80 l/min
With swiveling joint



Art. 090-5053-000 Cabinet for pump group

CABINET DISTRIBUTOR FOR DEF-AdBlue® “Meclube Box”



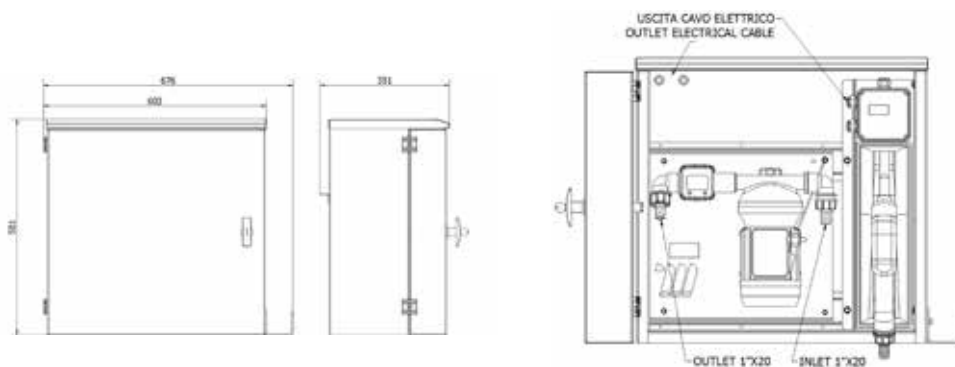
Ref.	Descrip.	Flow rate	Voltage	Power	Inlet-outlet	Conn. hose	Nozzle	Valve+filter	Flow meter	Weight	Packaging
		l/min	AC V/Hz DC Volt	W	BSPG	Ø				kg	mm

097-5910-230	Meclube Box	40	230/50	370	3/4"-3/4"	19x27	Aut.AP80	Valve+filter	YES	43,00	630X380X605
097-5911-230	Meclube Box	40	230/50	370	3/4"-3/4"	19x27	Aut.AD80	Valve+filter	YES	44,60	630X380X605

097-5910-115	Meclube Box	40	115/60	370	3/4"-3/4"	19x27	Aut.AP80	Valve+filter	YES	43,00	630X380X605
097-5911-115	Meclube Box	40	115/60	370	3/4"-3/4"	19x27	Aut.AD80	Valve+filter	YES	44,60	630X380X605

097-5910-012	Meclube Box	34	12V	180	3/4"-3/4"	19x27	Aut.AP80	Valve+filter	YES	41,50	630X380X605
097-5911-012	Meclube Box	34	12V	180	3/4"-3/4"	19x27	Aut.AD80	Valve+filter	YES	43,10	630X380X605

PUMP DUTY CYCLE min: S2 20



Solid cabinet in varnished anti-corrosion steel equipped with key closure. The dispenser pump group lies inside with anti-vibration supports. Composed by: electric diaphragm self-priming pump, automatic nozzle, delivery EPDM hose 6 m length, suction hose with valve+filter.

“Meclube Box DEF-AdBlue®” series composed by:



Art. 098-6500-230 Diaphragm electric pump for DEF-AdBlue® 230V 50 Hz 40 l/min cable 2 m length

Art. 098-6500-115 Diaphragm electric pump for DEF-AdBlue® 115V 60 Hz 40 l/min cable 2 m length



Art. 099-5124-000 Digital flow meter MEC 24 min-max flow rate min-max 5-120 l/min.



Art. 099-6512-015 Kit PU spiral suction hose d.19x27 1,5 m length



Art. 921-0500-060 Antistatic hose EPDM 20 bar G 3/4” 6 m length (19x27)



Art. 099-5205-000 Automatic plastic nozzle with stainless steel end “AP80” 80 l/min



Art. 099-5210-000 Automatic stainless steel nozzle “AD80” Flow rate 80 l/min
With swiveling joint



Art. 099-5240-020 DEF-AdBlue® transparent delivery filter
Filtering capacity 20 µ



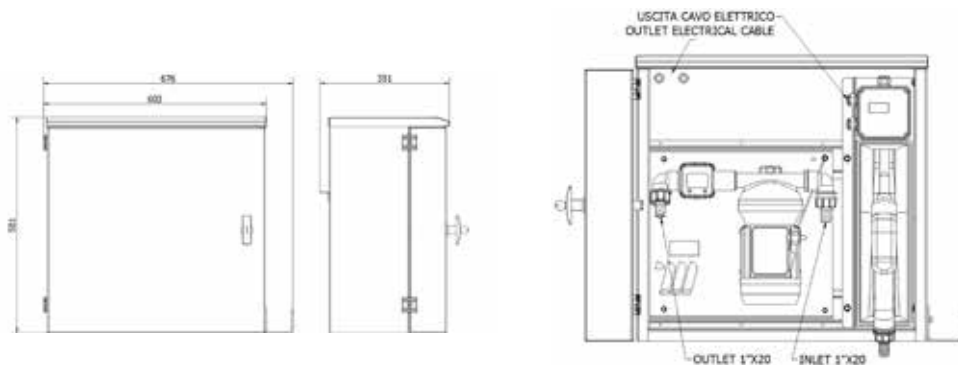
Art. 090-5053-000 Cabinet for pump group

CABINET DISTRIBUTOR FOR DEF-AdBlue® “Meclube Box”



Ref.	Descrip.	Flow rate	Voltage	Power	Inlet-outlet	Conn. hose	Nozzle	Filter	Flow meter	Weight	Packaging
		l/min	AC V/Hz DC Volt	W	BSPG	Ø				kg	mm
097-5920-230	Meclube Box	40	230/50	370	3/4"-3/4"	19x27	Aut.AP80	20 µ	SI	43,90	630X380X605
097-5921-230	Meclube Box	40	230/50	370	3/4"-3/4"	19x27	Aut.AD80	20 µ	SI	45,50	630X380X605
097-5920-115	Meclube Box	40	115/60	370	3/4"-3/4"	19x27	Aut.AP80	20 µ	SI	43,90	630X380X605
097-5921-115	Meclube Box	40	115/60	370	3/4"-3/4"	19x27	Aut.AD80	20 µ	SI	45,50	630X380X605

PUMP DUTY CYCLE min: S2 20



DEF-AdBlue® transferring kit in solid structure for private use. It allows the quick and clean filling of the vehicles. It permits the following functions: the identification of the authorised users, the pre-selection of dispensed quantity, the detection of the total consumption and the single-user consumption, the record of the deliveries and the management of 200 users. The system is equipped with key-manager to start the delivery quickly. The system includes the nozzle holder with microswitch to turn the pump on/off, automatic nozzle with swiveling joint and side hose holder. The equipment can be fixed to the wall, to a tank or to its own column.

“Electronic Cami Dispenser” series composed by:



Art. 098-6500-230 Diaphragm electric pump for DEF-AdBlue® 230V 50 Hz 40 l/min
cable 2 m length



Art. 921-0500-060 Antistatic hose EPDM 20 bar G 3/4" 6 m length (19x27)



Art. 099-5210-000 Automatic stainless steel nozzle “AD80” Flow rate 80 l/min
With swiveling joint



Art. 092-5200-230 Electronic control unit MecGest 110/230V 50Hz
Software included



Art. 099-5170-040 Mechanical pulsed flow meter MGI-40 **HALL EFFECT**



Art. 092-5220-000 Codified communication kit USB key reader for PC



Art. 092-5300-000 Red Key- Manager - nr. 1 pc.



Art. 090-5073-000 Base Column Cami-Dispenser

OPTIONAL:



Art. 092-5300-010 Kit blue keys - Users - 10 pcs



Art. 099-5240-020 DEF-AdBlue® filter 20µ 60 l/min

DEF-AdBlue® TRANSFER SYSTEM “Electronic Cami Dispenser”



Art. 097-5074-230



Art. 097-5075-230

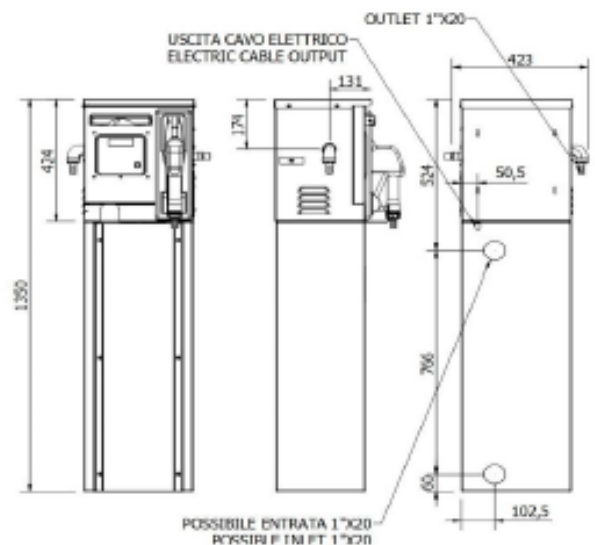
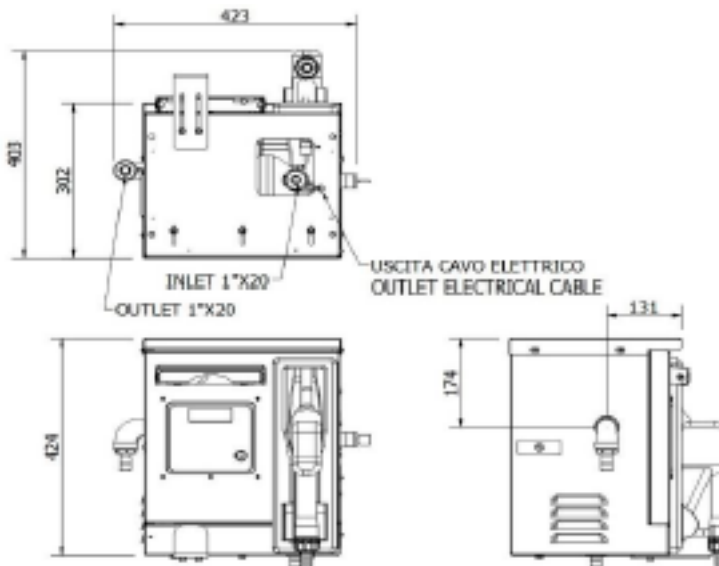
Ref.	Descrip.	Flow rate	Voltage	Power	Inlet-outlet	Conn. hose	Nozzle	Flow meter	Working cycle	Column	Weight
		l/min	AC V/Hz	W	BSPG	Ø			min		kg

097-5074-230	Cami Dispenser	40	230/50	370	3/4"-3/4"	19x27	Aut.AD80	MGI-40	S20-20	NO	28,00
--------------	----------------	----	--------	-----	-----------	-------	----------	--------	--------	----	-------

097-5075-230	Cami Dispenser	40	230/50	370	3/4"-3/4"	19x27	Aut.AD80	MGI-40	S20-20	YES	51,50
--------------	----------------	----	--------	-----	-----------	-------	----------	--------	--------	-----	-------

Ref.	Packaging (mm)	Nr. Of boxes
------	----------------	--------------

097-5074-230	505x355x425	1
097-5075-230	505x355x425 - 365x305x945	2



DEF-AdBlue® TRANSFER SYSTEM “Electronic Cami Dispenser LC”

DEF-AdBlue® transferring kit for private use. It allows the quick and safe filling of the vehicles. It also permits to measure and record the dispensed quantities. It permits the following functions: the preselection of the dispatched quantity, to see the total dispensed and each single dispense, to memorize the dispatches. The systems comes with a Lan Connection that enables the constant communication with the software, the reception of the type of configuration from remote and the report sending of the dispenses, MecGest can manage up to 200 users. The system is equipped with user-key and manager-key, to quickly start the dispatch. It is equipped with nozzle holder, microswitch to turn the pump on/off, automatic nozzle with swiveling joint, and extractable hose support. The equipment can be fixed to the wall, to a tank or to its column.

“Electronic Cami Dispenser LC” series composed by:



Art. 098-6500-230 Diaphragm electric pump for DEF-AdBlue® 230V 50 Hz 40 l/min
cable 2 m lenght



Art. 921-0500-060 Antistatic hose EPDM 20 bar G 3/4” 6 m lenght (19x27)



Art. 099-5210-000 Automatic stainless steel nozzle “AD80” Flow rate 80 l/min
With swiveling joint



Art. 092-5200-230 Electronic control unit MecGest 110/230V 50Hz
Software included



Art. 099-5170-040 Mechanical pulsed flow meter MGI-40 **HALL EFFECT**



Art. 092-5350-001 Codified Kit Lan Connection USB - RS485



Art. 090-5073-000 Base Column Cami-Dispenser

OPTIONAL:



Art. 092-5300-010 Kit blue keys - Users - 10 pcs



Art. 092-5220-000 Codified communication kit USB key reader for PC



Art. 099-5240-020 DEF-AdBlue® filter 20µ 60 l/min




DEF-AdBlue® TRANSFER SYSTEM “Electronic Cami Dispenser LC”



Art. 097-5076-230



Art. 097-5077-230

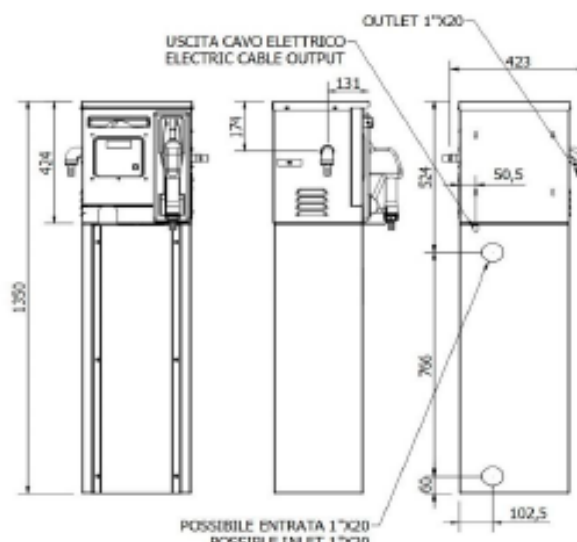
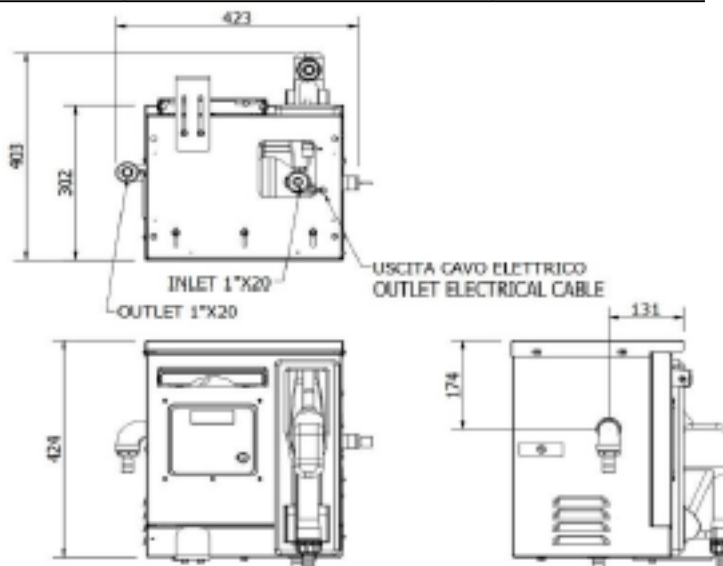
Ref.	Descr.	Flow rate	Voltage	Power	Inlet-outlet	Conn. hose	Nozzle	Flow meter	Working cycle	Column	Weight
		l/min	AC V/Hz	W	BSPG	Ø			min		kg

097-5076-230	Cami Dispenser	40	230/50	370	3/4"-3/4"	19x27	Aut.AD80	MGI-40	S2 20	NO	28,00
--------------	----------------	----	--------	-----	-----------	-------	----------	--------	-------	----	-------

097-5077-230	Cami Dispenser	40	230/50	370	3/4"-3/4"	19x27	Aut.AD80	MGI-40	S2 20	YES	51,50
--------------	----------------	----	--------	-----	-----------	-------	----------	--------	-------	-----	-------

Ref.	Packaging (mm)	Nr. Of boxes
------	----------------	--------------

097-5076-230	505x355x425	1
097-5077-230	505x355x425 - 365x305x945	2



DEF-AdBlue® transferring kit in solid structure for private use. It allows the quick and clean filling of the vehicles. It permits the following functions: the identification of the authorised users, the pre-selection of dispensed quantity, the detection of the total consumption and the single-user consumption, the storage of the deliveries and the management of 200 users. The system is equipped with key-manager to start the delivery quickly. The system includes the nozzle holder with microswitch to turn the pump on/off, automatic nozzle with swiveling joint and side hose holder.

“Electronic Gaia Service” series composed by:



Art. 098-6500-230 Diaphragm electric pump for DEF-AdBlue® 230V 50 Hz 40 l/min
cable 2 m lenght



Art. 921-0500-060 Antistatic hose EPDM 20 bar G 3/4” 6 m lenght (19x27)



Art. 099-5210-000 Automatic stainless steel nozzle “AD80” Flow rate 80 l/min
With swiveling joint



Art. 092-5200-230 Electronic control unit MecGest 110/230V 50Hz
Software included



Art. 099-5170-040 Mechanical pulsed flow meter MGI-40 **HALL EFFECT**



Art. 099-5240-020 DEF-AdBlue® filter 20µ 60 l/min



Art. 092-5220-000 Codified communication kit USB key reader for PC



Art. 092-5300-000 Red Key- Manager - nr. 1 pc.

OPTIONAL:



Art. 092-5300-010 Kit blue keys - Users - 10 pcs

DEF-AdBlue® TRANSFER SYSTEM “Electronic Gaia Service”



Art. 097-5084-230

H. 1380 mm



Art. 097-5085-230

H. 980 mm

Ref.	Descrip.	Flow rate	Voltage	Power	Inlet-outlet	Conn. hose	Nozzle	Flow meter	Filter	Working cycle	Weight
		l/min	AC V/Hz	W	BSPG	Ø				min	kg

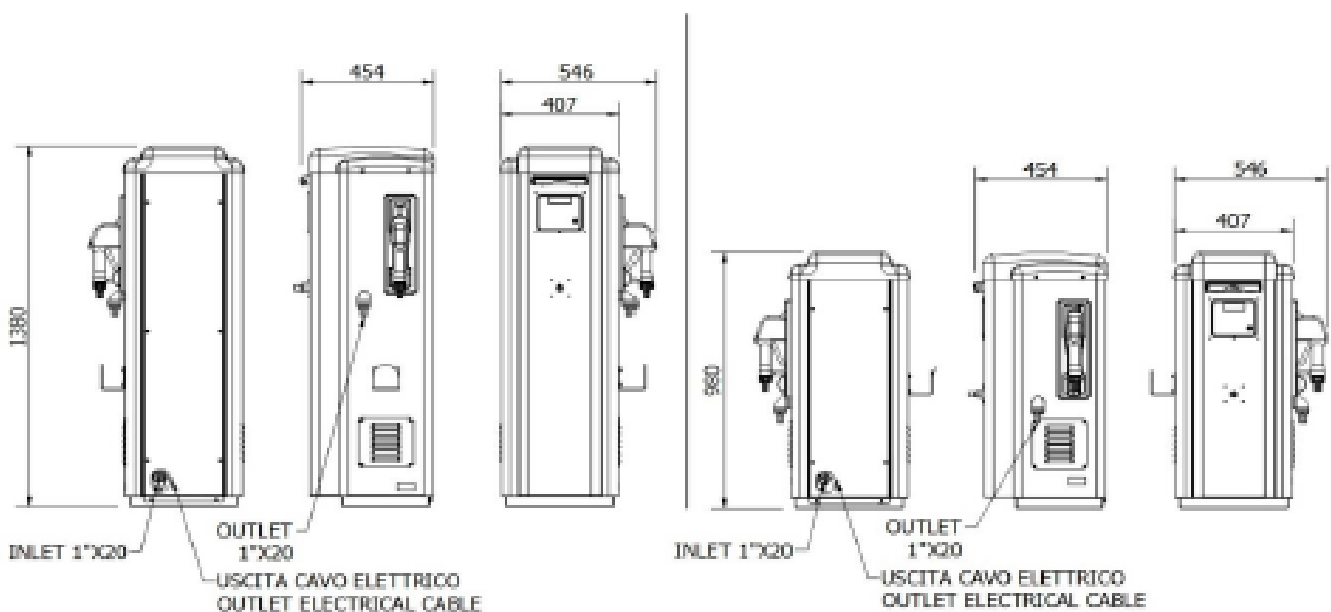
H. 1380 mm

097-5084-230	Gaia Service	40	230/50	370	3/4"-3/4"	19x27	Aut.AD80	MGI-40	YES	S2 20	67,50
---------------------	--------------	-----------	--------	-----	-----------	-------	----------	--------	-----	-------	-------

H. 980 mm Suitable for tank fixing

097-5085-230	Gaia "Tank"	40	230/50	370	3/4"-3/4"	19x27	Aut.AD80	MGI-40	YES	S2 20	59,50
---------------------	-------------	-----------	--------	-----	-----------	-------	----------	--------	-----	-------	-------

Ref.	Packaging (mm)	Nr. Of boxes
097-5084-230	530x490x1410	1
097-5085-230	530x490x1010	2



DEF-AdBlue® transferring kit in solid structure for private use. It allows the quick and clean filling of the vehicles. It also permits to measure and record the dispensed quantities. It permits the following functions: the preselection of the dispatched quantity, to see the total dispensed and each single dispense, to memorize the dispatches. The systems comes with a Lan Connection that enables the constant communication with the software, the reception of the type of configuration from remote and the report sending of the dispenses, MecGest can manage up to 200 users. The system includes the nozzle holder with microswitch to turn the pump on/off, automatic nozzle with swiveling joint and hose holder.

“Electronic Gaia Service LC” series composed by:



Art. 098-6500-230 Diaphragm electric pump for DEF-AdBlue® 230V 50 Hz 40 l/min
cable 2 m lenght



Art. 921-0500-060 Antistatic hose EPDM 20 bar G 3/4” 6 m lenght (19x27)



Art. 099-5210-000 Automatic stainless steel nozzle “AD80” Flow rate 80 l/min
With swiveling joint



Art. 092-5200-230 Electronic control unit MecGest 110/230V 50Hz
Software included



Art. 099-5170-040 Mechanical pulsed flow meter MGI-40 **HALL EFFECT**



Art. 099-5240-020 DEF-AdBlue® filter 20µ 60 l/min



Art. 092-5350-001 Coded Kit Lan Connection USB - RS485

OPTIONAL:



Art. 092-5300-010 Kit blue keys - Users - 10 pcs



Art. 092-5220-000 Coded communication kit USB key reader for PC






Art. 097-5086-230

H. 1380 mm



Art. 097-5087-230

H. 980 mm

Ref.	Descrip.	Flow rate	Voltage	Power	Inlet-outlet	Conn. hose	Nozzle	Flow meter	Filter	Working cycle	Weight
		l/min	AC V/Hz	W	BSPG	Ø				min	kg

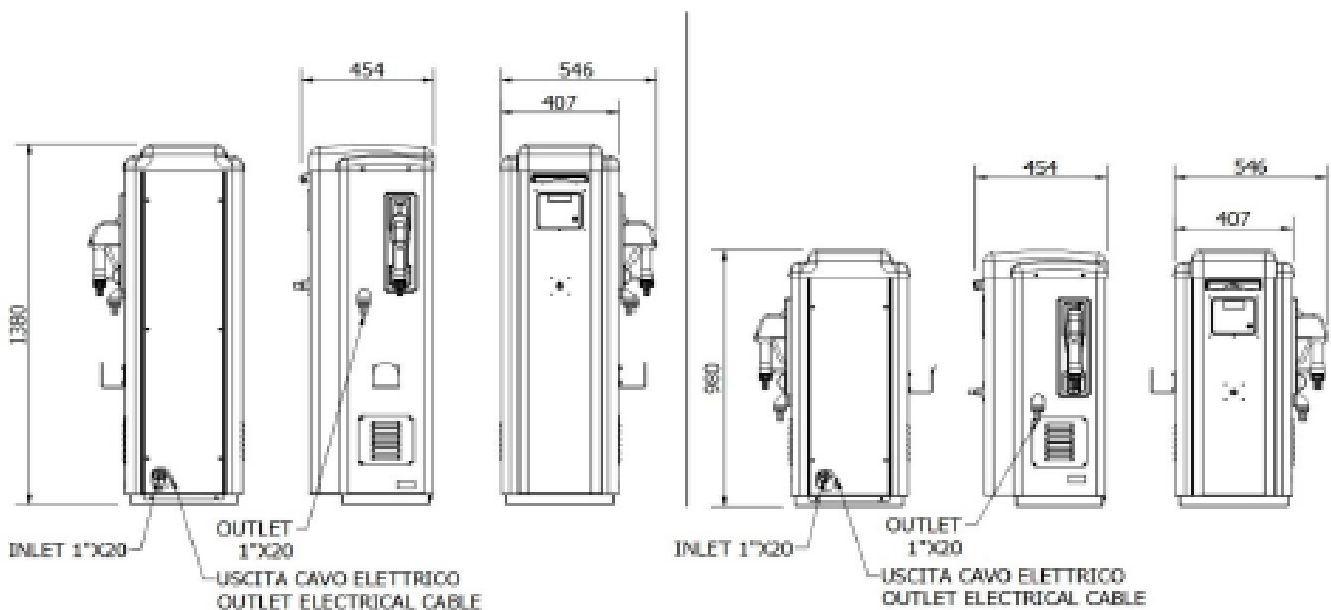
H. 1380 mm

097-5086-230	Gaia Service	40	230/50	370	3/4"-3/4"	19x27	Aut.AD80	MGI-40	YES	S2 20	67,50
---------------------	--------------	-----------	--------	-----	-----------	-------	----------	--------	-----	-------	-------

H. 980 mm Suitable for tank fixing

097-5087-230	Gaia "Tank"	40	230/50	370	3/4"-3/4"	19x27	Aut.AD80	MGI-40	YES	S2 20	59,50
---------------------	-------------	-----------	--------	-----	-----------	-------	----------	--------	-----	-------	-------

Ref.	Packaging (mm)	Nr. Of boxes
097-5086-230	530x490x1410	1
097-5087-230	530x490x1010	2



Rigid polyethylene tank for DEF-AdBlue® transport for non-commercial use, with built-in transfer unit consisting of rotary vane self-priming pump available in various voltages (12-24V). Delivery hose \varnothing 19 mm 4 m length and automatic nozzle. The system is available at 220 liters and can be integrated with digital flow meter. The tank is equipped with 2" filling plug with pressurizing/depressurizing relief valve. See ADR Regulations at page 180.

“DEF-AdBlue® Tank 220” series composed by:



Art. 097-6220-000 Tank 220 l without pumps



Art. 098-6500-012 Electric diaphragm pump for DEF-AdBlue® 12V 34 l/min cable 4 m length with pincers

Art. 098-6500-024 Electric diaphragm pump for DEF-AdBlue® 24V 34 l/min cable 4 m length with pincers



Art. 099-5124-000 Digital flow meter MEC 24 min-max flow rate 5-120 l/min.






Art. 921-0500-040 Antistatic hose EPDM 20 bar G 3/4" 4 m length (19x27)



Art. 099-5210-000 Automatic stainless steel nozzle “AD80” Flow rate 80 l/min

DEF-AdBlue® TANK 220

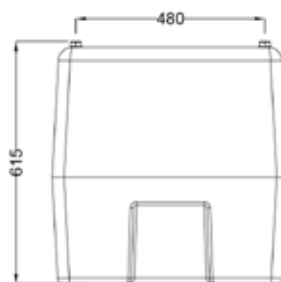
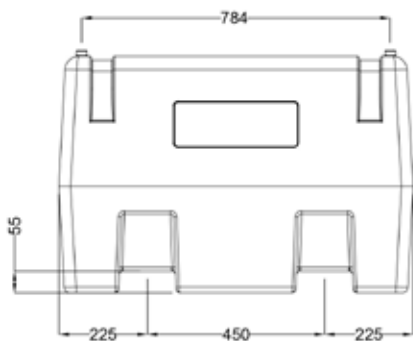


Ref.	Descrip.	Flow meter	Voltage	Power	Inlet-outlet	Conn. hose	Nozzle	Cable L.mt	Flow meter	Weight	Packaging
		l/min	DC Volt	W	BSPG	Ø				kg	mm

097-6220-012	Tank 220 l	34	12	180	3/4"-3/4"	19x27	Aut.AD80	4	NO	37,00	910X600X620
097-6221-012	Tank 220 l	34	12	180	3/4"-3/4"	19x27	Aut.AD80	4	YES	37,35	910X600X620

097-6220-024	Tank 220 l	34	24	180	3/4"-3/4"	19x27	Aut.AD80	4	NO	37,00	910X600X620
097-6221-024	Tank 220 l	34	24	180	3/4"-3/4"	19x27	Aut.AD80	4	YES	37,35	910X600X620

PUMP DUTY CYCLE min: S2 20



Rigid polyethylene tank for DEF-AdBlue® transport for non-commercial use, with built-in transfer unit consisting of rotary vane self-priming pump available in various voltages (12-24V). Delivery hose \varnothing 19 mm 4 m length and automatic nozzle. The system is available at 440 liters and can be integrated with digital flow meter. The tank is equipped with 2" filling plug with pressurizing/depressurizing relief valve. See ADR Regulations at page 180.

“DEF-AdBlue® Tank 440” series composed by:



Art. 097-6440-000 Tank 440 l without pumps



Art. 098-6500-012 Electric diaphragm pump for DEF-AdBlue® 12V 34 l/min cable 4 m length with pincers

Art. 098-6500-024 Electric diaphragm pump for DEF-AdBlue® 24V 34 l/min cable 4 m length with pincers



Art. 099-5124-000 Digital flow meter MEC 24 min-max flow rate min-max 5-120 l/min.



Art. 921-0500-040 Antistatic hose EPDM 20 bar G 3/4" 4 m length (19x27)






Art. 099-5210-000 Automatic stainless steel nozzle “AD80” Flow rate 80 l/min



Art. 099-6000-440 Probe for tank 330 l - 440 l

DEF-AdBlue® TANK 440

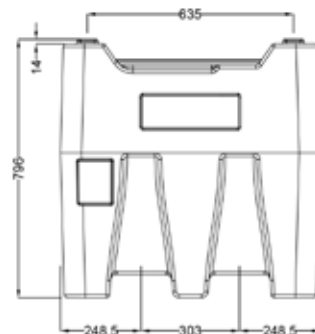
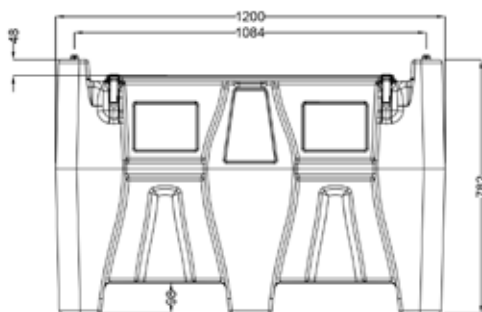


Ref.	Descrip.	Flow rate	Voltage	Power	Inlet-outlet	Conn. hose	Nozzle	Cable L.mt	Flow meter	Weight	Packaging
		l/min	DC Volt	W	BSPG	Ø				kg	mm

097-6440-012	Tank 440 I	34	12	180	3/4"-3/4"	19x27	Aut.AD80	4	NO	59,00	1200X800X785
097-6441-012	Tank 440 I	34	12	180	3/4"-3/4"	19x27	Aut.AD80	4	YES	59,35	1200X800X785

097-6440-024	Tank 440 I	34	24	180	3/4"-3/4"	19x27	Aut.AD80	4	NO	59,00	1200X800X785
097-6441-024	Tank 440 I	34	24	180	3/4"-3/4"	19x27	Aut.AD80	4	YES	59,35	1200X800X785

PUMP DUTY CYCLE min: S2 20



Tank made of linear high density polyethylene, resistant to UV radiations with distribution cabinet for DEF-AdBlue® Arla32. It is available in the version of 12V and 230V, with digital flow meter, stainless steel automatic nozzle, key lock and EPDM delivery hose of 3/4” L. 6m. The tank is available of 3000 l and 5000 l with closing cap with D. 42 cm.

DEF-Tank is provided with 1” vent valve, 2” filling hose and 1” suction hose.

The tank is designed to allow a great functioning of SCR systems (Selective Catalytic Reduction).



Diesel Exhaust
Fluid



“DEF-Tank” series composed by:

Art. 097-9300-000 3000 l polyethylene tank

Art. 097-9500-000 5000 l polyethylene tank



Art. 097-5911-230 Meclube Box 230V, automatic nozzle AD80 digital flow meter and hose 3/4” length.6 m

Art. 097-5911-012 Meclube Box 12V, automatic nozzle AD80 digital flow meter and hose 3/4” length.6 m



AdBlue® TANK-DISTRIBUTOR “DEF-Tank”



Tank Technical Data

Ref.	Description	Capacity	Voltage	Width	Depth	Height	Total weight	Packaging
		l	AC V./Hz DC Volt	mm	mm	mm	Kg	mm
097-9300-230	DEF-Tank	3000	230/50	2200	1820	1910	169,10	2200X1600X2060
097-9300-012	DEF-Tank	3000	12	2200	1820	1910	167,60	2200X1600X2060



097-9500-230	DEF-Tank	5000	230/50	2670	2000	2220	219,10	2200X1600X2370
097-9500-012	DEF-Tank	5000	12	2670	2000	2220	217,60	2200X1600X2370



DEF-AdBlue®



Meclube Box Technical Data

Ref.	Description	Flow Rate	Voltage	Power	Inlet Outlet	Conn. Hose	Nozzle	Flow Meter	Weight
		l/min	AC V./Hz DC Volt	W	BSPG	Ø			Kg
097-5911-230	Meclube Box	40	230/50	370	3/4"-3/4"	19x27	Aut.AD80	YES	44,60
097-5911-012	Meclube Box	34	12	180	3/4"-3/4"	19x27	Aut.AD80	YES	43,10

Pump Working Cycle min: S2 20

Rigid polyethylene tank for DEF-AdBlue® for professional and private use, suitable for the re-fueling small operative vehicles and light operative or recreational vehicles. They are equipped with run-flat tyres and suitable for moving on any ground. Every container can be filled vertically or horizontally, with the same Urea quantity. Provide with nozzle holder bracket, safety valve with swiveling joint, filling plug with anti-spill relief valve. See ADR Regulations at page 180.

“Caddy” series composed by:



Art. 097-6055-M00 Wheeled tank Caddy 55 I DEF-AdBlue

Art. 097-6110-M00 Wheeled tank Caddy 110 I DEF-AdBlue



Art. 099-5625-000 Manual rotary pump for DEF-AdBlue®



Art. 921-0500-040 Antistatic hose EPDM 20 bar G 3/4" 4 m length (19x27)




Art. 099-5199-000 Manual plastic nozzle “AD90” for DEF-AdBlue® Flow rate 90 l/min



55 l



110 l

Ref.	Descrip.	Capacity for 100 revolutions		Width	Depth	Height	Nozzle	Weight	Packaging
		l	USG						
				mm	mm	mm		kg	mm

097-6055-M00	Caddy 55 l	38	10	460	360	900	Man.AD90	8,00	1000X500X500
097-6110-M00	Caddy 110 l	38	10	460	440	1100	Man.AD90	12,00	1200X500X500

Trolley for the transport of DEF-AdBlue® barrels, specifically designed for filling the vehicles tanks. It's equipped with self-priming electric double diaphragm pump, automatic nozzle, flow rate reducer, digital turbine flow meter, IBC adaptor and telescopic suction hose. The plastic barrel and the tanks are not included.

“Giuly-Blu” series composed by:



Art. 098-6500-230 Electric diaphragm pump for DEF-AdBlue® 230V 50 Hz 40 l/min cable 2 m length

Art. 098-6500-115 Electric diaphragm pump for DEF-AdBlue® 115V 60 Hz 40 l/min cable 2 m length



Art. 098-6500-012 Electric diaphragm pump for DEF-AdBlue® 12V 34 l/min cable 4 m length



Art. 912-0519-015 PU spiral suction hose ø 19x27 mm 1,5 m length



Art. 921-0500-040 Antistatic hose EPDM 20 bar G 3/4” 4 m length (19x27)



Art. 099-5205-000 Automatic plastic nozzle with stainless steel end AP80 80 l/min.



Art. 099-5124-000 Digital flow meter MEC 24 min-max flow rate 5-120 l/min.



Art. 099-6500-000 Suction hose 2” BSP SEC connection



Art. 099-6600-000 Adaptor for suction hose SEC connection



Art. 030-1398-003 Trolley 3 wheels with brake

DEF-AdBlue® TRANSFER SYSTEM FOR VEHICLES “Giuly-Blu”





Art. 097-5750-230
Art. 097-5750-115
Art. 097-5750-012



Art. 097-5752-230
Art. 097-5752-115
Art. 097-5752-012



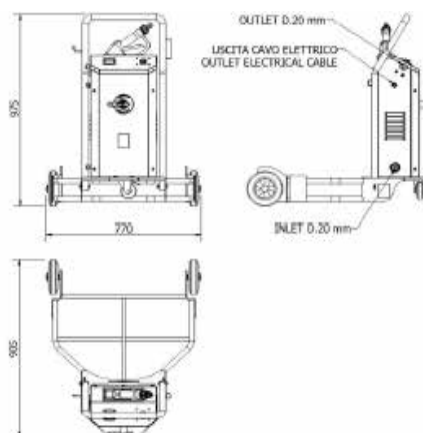
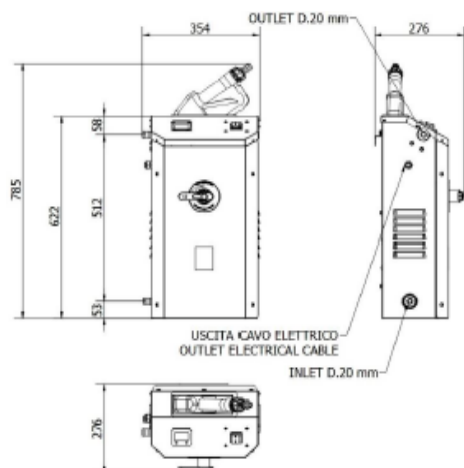
Giuly-Blu IBC
Drum and cistern not included

Ref.	Descrip.	Max. Nominal Flow Rate	Voltage	Power	Flow Rate	Delivery Hose	Suction Hose	Nozzle	Trolley	Weight
		LPM / GPM	AC V/Hz DC Volt	W	l/min	Ø / mm	Ø / mm			kg
097-5750-230	Giuly-Blu	4-40 / 1-9	230 / 50	370	40	19x27	19x27	AutAP80	NO	22,42
097-5750-115	Giuly-Blu	4-40 / 1-9	115 / 60	370	40	19x27	19x27	AutAP80	NO	22,42
097-5750-012	Giuly-Blu	4-34 / 1-9,2	12	180	34	19x27	19x27	AutAP80	NO	20,92

097-5752-230	Giuly-Blu Trolley	4-40 / 1-9	230 / 50	370	40	19x27	19x27	AutAP80	YES	44,82
097-5752-115	Giuly-Blu Trolley	4-40 / 1-9	115 / 60	370	40	19x27	19x27	AutAP80	YES	44,82
097-5752-012	Giuly-Blu Trolley	4-34 / 1-9,2	12	180	34	19x27	19x27	AutAP80	YES	43,32

Ref.	Packaging (mm)	Boxes
097-5750-230	385X325X655	1
097-5750-115	385X325X655	1
097-5750-012	385X325X655	1

Ref.	Packaging (mm)	Boxes
097-5752-230	(385X325X655) + (920X790X250)	2
097-5752-115	(385X325X655) + (920X790X250)	2
097-5752-012	(385X325X655) + (920X790X250)	2



Trolley for the transport of DEF-AdBlue® barrels, specifically designed for filling the vehicles tanks. It's equipped with self-priming electric double diaphragm pump, ZVA LV automatic nozzle, flow rate reducer, digital turbine flow meter, IBC adaptor and telescopic suction hose. The plastic barrel and the tanks are not included.

“Giuly-Blu” series composed by:



Art. 098-6500-230 Electric diaphragm pump for DEF-AdBlue® 230V 50 Hz 40 l/min cable 2 m length

Art. 098-6500-115 Electric diaphragm pump for DEF-AdBlue® 115V 60 Hz 40 l/min cable 2 m length



Art. 098-6500-012 Electric diaphragm pump for DEF-AdBlue® 12V 34 l/min cable 4 m length



Art. 912-0519-015 PU spiral suction hose ø 19x27 mm 1,5 m length



Art. 921-0500-040 Antistatic hose EPDM 20 bar G 3/4” 4 m length (19x27)



Art. 099-5220-000 ZVA Automatic nozzle for DEF-AdBlue® LV / Urea according to ISO 22241-1 (DEF/AUS/ARLA 32) for light vehicles < 3,5 t. With ATEX certificate (EX II 1G) Certificate Nr. SIRA 03ATEX9 487U Swivelling joint with integrated and certified flow regulator : TÜV - P-TÜ7-8113338228 ISO 22241 Complete with adaptor EW 22



Art. 099-5124-000 Digital flow meter MEC 24 min-max flow rate 5-120 l/min.



Art. 099-6500-000 Suction hose 2” BSP SEC connection



Art. 099-6600-000 Adaptor for suction hose SEC connection



Art. 030-1398-003 Trolley 3 wheels with brake

DEF-AdBlue® TRANSFER SYSTEM FOR VEHICLES “Giuly-Blu” PROFESSIONAL



Art. 097-5760-230
Art. 097-5760-115
Art. 097-5760-012



Art. 097-5762-230
Art. 097-5762-115
Art. 097-5762-012

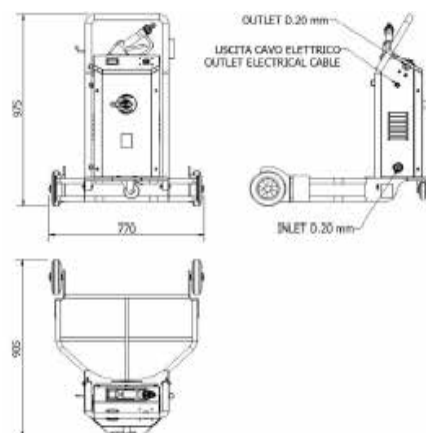
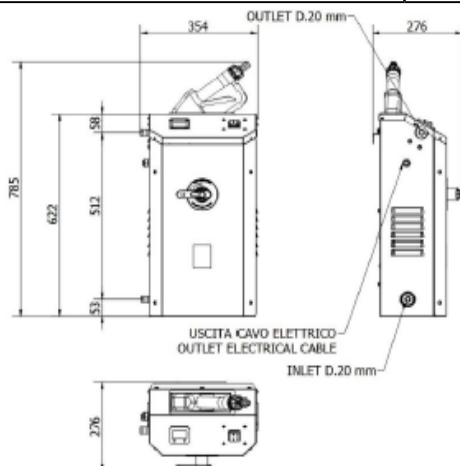


Giuly-Blu IBC
Drum and cistern not included

Ref.	Descrip.	Max. Nominal Flow Rate	Voltage	Power	Flow Rate	Delivery Hose	Suction Hose	Nozzle	Trolley	Weight
		l/min	AC V/Hz DC Volt	W	l/min	Ø / mm	Ø / mm			kg
097-5760-230	Giuly-Blu Prof	5 - 10	230 / 50	370	40	19x27	19x27	ZVA LV	NO	22,62
097-5760-115	Giuly-Blu Prof	5 - 10	115 / 60	370	40	19x27	19x27	ZVA LV	NO	22,62
097-5760-012	Giuly-Blu Prof	5 - 10	12	180	34	19x27	19x27	ZVA LV	NO	21,12

097-5762-230	Giuly-Blu Prof Trolley	5 - 10	230 / 50	370	40	19x27	19x27	ZVA LV	YES	45,02
097-5762-115	Giuly-Blu Prof Trolley	5 - 10	115 / 60	370	40	19x27	19x27	ZVA LV	YES	45,02
097-5762-012	Giuly-Blu Prof Trolley	5 - 10	12	180	34	19x27	19x27	ZVA LV	YES	43,52

Ref.	Packaging (mm)	Boxes	Ref.	Packaging (mm)	Boxes
097-5760-230	385X325X655	1	097-5762-230	(385X325X655) + (920X790X250)	2
097-5760-115	385X325X655	1	097-5762-115	(385X325X655) + (920X790X250)	2
097-5760-012	385X325X655	1	097-5762-012	(385X325X655) + (920X790X250)	2



Trolley for the transport of DEF-AdBlue® barrels, specifically designed for filling the vehicles tanks. It's equipped with self-priming electric double diaphragm pump, automatic nozzle, flow rate reducer, digital turbine flow meter, IBC adaptor and telescopic suction hose. The plastic barrel and the tanks are not included.

“Eco-Blu” series composed by:



Art. 098-6500-230 Electric diaphragm pump for DEF-AdBlue® 230V 50 Hz 40 l/min cable 2 m length

Art. 098-6500-115 Electric diaphragm pump for DEF-AdBlue® 115V 60 Hz 40 l/min cable 2 m length



Art. 098-6500-012 Electric diaphragm pump for DEF-AdBlue® 12V 34 l/min cable 4 m length



Art. 912-0519-015 PU spiral suction hose ø 19x27mm 1,5 m length



Art. 921-0500-040 Antistatic hose EPDM 20 bar G 3/4” 4 m length (19x27)



Art. 099-5205-000 Automatic plastic nozzle with stainless steel end AP80 80 l/min.



Art. 099-5124-000 Digital flow meter MEC 24 min-max flow rate 5-120 l/min.



Art. 099-6500-000 Suction hose 2” BSP SEC connection



Art. 099-6600-000 Adaptor for suction hose SEC connection



Art. 030-1398-003 Trolley 3 wheels with brake

DEF-AdBlue® TRANSFER SYSTEM FOR VEHICLES “Eco-Blu”





Art. 097-5770-230
Art. 097-5770-115
Art. 097-5770-012



Art. 097-5772-230
Art. 097-5772-115
Art. 097-5772-012

Drums not included

Ref.	Descrip.	Max. Nominal Flow Rate	Voltage	Power	Flow Rate	Delivery Hose	Suction Hose	Nozzle	Flow meter
		l/min	AC V/Hz DC Volt	W	l/min	Ø / mm	Ø / mm		
097-5770-230	Eco-Blu	40	230 / 50	370	40	19x27	19x27	Aut.AP80	NO
097-5770-115	Eco-Blu	40	115 / 60	370	40	19x27	19x27	Aut.AP80	NO
097-5770-012	Eco-Blu	34	12	180	34	19x27	19x27	Aut.AP80	NO

097-5772-230	Eco-Blu	40	230 / 50	370	40	19x27	19x27	Aut.AP80	YES
097-5772-115	Eco-Blu	40	115 / 60	370	40	19x27	19x27	Aut.AP80	YES
097-5772-012	Eco-Blu	34	12	180	34	19x27	19x27	Aut.AP80	YES

Ref.	Packaging (mm)	Boxes	Weight
097-5770-230	550X400x320 + 920X790X250	2	34,40
097-5770-115	550X400x320 + 920X790X250	2	34,40
097-5770-012	550X400x320 + 920X790X250	2	33,00
097-5772-230	550X400x320 + 920X790X250	2	34,75
097-5772-115	550X400x320 + 920X790X250	2	34,75
097-5772-012	550X400x320 + 920X790X250	2	33,35

Varnished trolleys advised for the transport of barrels (DEF-AdBlue®, oil, grease and similar) of 180-220 l in work places.



Art. 030-1398-003 Trolley for barrel 180-220 l
Pre-arranged for application of the hose reel

EQUIPPED WITH:
 Nr. 2 fixed wheels Ø 200 mm
 Nr. 1 swiveling wheel Ø 125 mm
 (equipped with locking device)
 Band for fixing barrels
 Base dimension 600 x 470 mm



Art. 030-1400-003 Trolley for barrel 180-220 l

EQUIPPED WITH:
 Nr. 2 fixed wheels Ø 250 mm
 Nr. 2 swiveling wheel Ø 125 mm
 Base dimension 610 x 610 mm



Art. 030-1405-003 Trolley for barrel 180-220 l
Pre-arranged for application of the hose reel

EQUIPPED WITH:
 Nr. 2 fixed wheels Ø 250 mm
 Nr. 2 swiveling wheel Ø 180 mm
 (one equipped with locking device)
 Base dimension 610 x 610 mm

Ref.	Wheels	For barrel	Base dimension	Weight	Packaging
	nr.	l	mm	Kg	mm

030-1398-003	3	180/220	600x470	22,40	920X790X250
030-1400-003	4	180/220	610x610	37,10	920X790X250
030-1405-003	4	180/220	610x610	48,60	920X790X250

ELECTRIC DIAPHRAGM PUMPS FOR DEF-AdBlue® AIR-OPERATED DOUBLE DIAPHRAGM PUMPS



Electric diaphragm self-priming pump without any dynamic seals. Suitable for aggressive fluids transfer like DEF-AdBlue®.



**Art. 098-6500-230 Electric diaphragm pump for DEF-AdBlue®
230V 50Hz 40 l/min**

Duty cycle: 20 min
 Housing: Polypropylene
 Diaphragm: EPDM
 Check valve: Viton
 Check valve spring: stainless steel 316
 Motor shaft: stainless steel 316
 Switch ON / OFF
 Rubber holder fitting F1" Ø 20
 2 m cable with socket Schuko



**Art. 098-6500-115 Electric diaphragm pump for DEF-AdBlue®
120V 60Hz 40 l/min**

Duty cycle: 20 min
 Housing: Polypropylene
 Diaphragm: EPDM
 Check valve: Viton
 Check valve spring: stainless steel 316
 Motor shaft: stainless steel 316
 Switch ON / OFF
 Rubber holder fitting F1" Ø 20
 2 m cable with socket USA

Ref.	Flow rate	Voltage	Power	Electricity	Inlet-outlet	Cable length	Duty cycle	Weight	Packaging
	l/min	AC V/Hz	W	A	BSPG	m	min	Kg	mm

098-6500-230	40	230/50	370	0,7	3/4" - 3/4"	2	S2 20	6,50	320X190X230
098-6500-115	40	120/60	370	1,3	3/4" - 3/4"	2	S2 20	6,50	320X190X230

Electric diaphragm self-priming pump without any dynamic seals. Suitable for aggressive fluids transfer like DEF-AdBlue®

**Art. 098-6500-012 Electric diaphragm pump for DEF-AdBlue®
12V 34 l/min**



Duty cycle: 20 min
Housing: Polypropylene
Diaphragm: EPDM
Check valve: Viton
Check valve spring: stainless steel 316
Motor shaft: stainless steel 316
Switch ON / OFF
4 m cable with pincers
Rubber holder fitting F1" Ø20

**Art. 098-6500-024 Electric diaphragm pump for DEF-AdBlue®
24V 34 l/min**



Duty cycle: 20 min
Housing: Polypropylene
Diaphragm: EPDM
Check valve: Viton
Check valve spring: stainless steel 316
Motor shaft: stainless steel 316
Switch ON / OFF
4 m cable with pincers
Rubber holder fitting F1" Ø20

Ref.	Flow rate	Voltage	Power	Electricity	Inlet-outlet	Cable Length	Duty cycle	Weight	Packaging
	l/min	DC Volt	W	A	BSPG	m	min	Kg	mm

098-6500-012	34	12	180	12	3/4" - 3/4"	4	S2 20	5,00	320X190X230
098-6500-024	34	24	180	7,3	3/4" - 3/4"	4	S2 20	5,00	320X190X230

Submersible multi-impeller electro-pump designed for DEF-AdBlue®/DEF/Arla32. The pump is complete with power supply cable L.5m with case H07BN4-F and connection with clapet valve, plastic structure suitable for DEF-AdBlue®. The equipment complies with EN 60335-1/EN 60034-1/IEC 60335-1/IEC 60034-1/CEI 61-150/CEI 2-3. The electro-pump works with S1 service continuously with flow rate up to 70 l/min and delivery head up to 27m, it can be used under the liquid level up to a maximum of 3m. Emptying level up to 25mm from the bottom. Electric engine with insulation in F class, IP X8 protection.

**Art. 098-7000-230 Submersible electro-pump for DEF-AdBlue® “Mec-Ariel”
230V 50Hz 70 l/min**

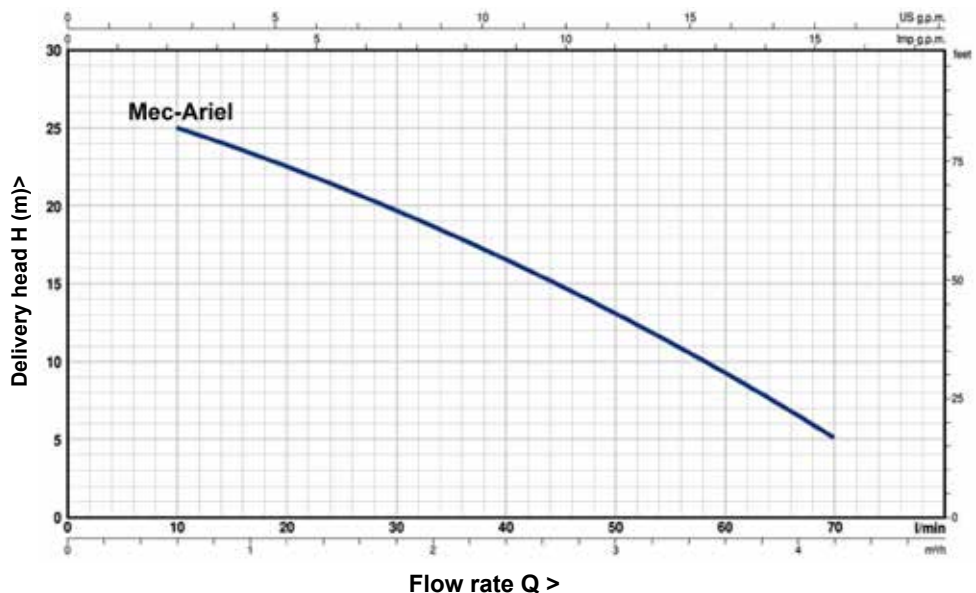
It is designed to pump clean liquid defined according to ISO 22241 standard as AUS32 (Aqueous Urea Solutions 32,5%).

This liquid corresponds to commercial names known as:

- DEF-AdBlue® (brand registered by Verband der automobilindustrie VDA)
- DEF (Diesel Exhausted Fluid)
- Arla 32 (Agente Reductor Líquido de Oxido de Nitrogenio Automotivo)



PERFORMANCE DATA



Ref.	Power (P2)		Q										
	kW	HP		m3/h	0	0,6	1,2	1,8	2,4	3	3,6	4,2	
				l/min	0	10	20	30	40	50	60	70	

098-7000-230	0,37	0,5	H	meters	27	25	22,5	19,5	16,5	13	9	5
---------------------	------	-----	----------	--------	----	----	------	------	------	----	---	---

Q=Flow rate H= Total manometric delivery head

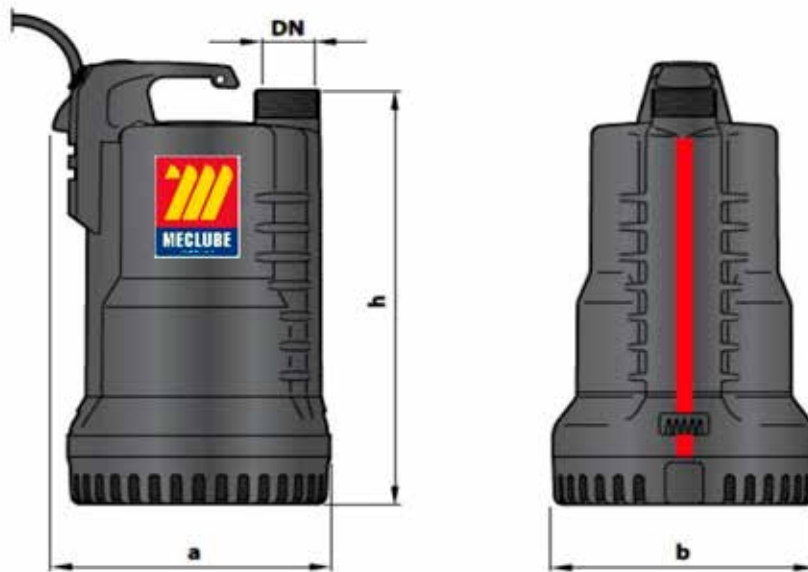
Tolerance of performance curves according to EN ISO 9906 Degree 38

SUBMERSIBLE DEF-AdBlue® ELECTRO-PUMP “Mec-Ariel”

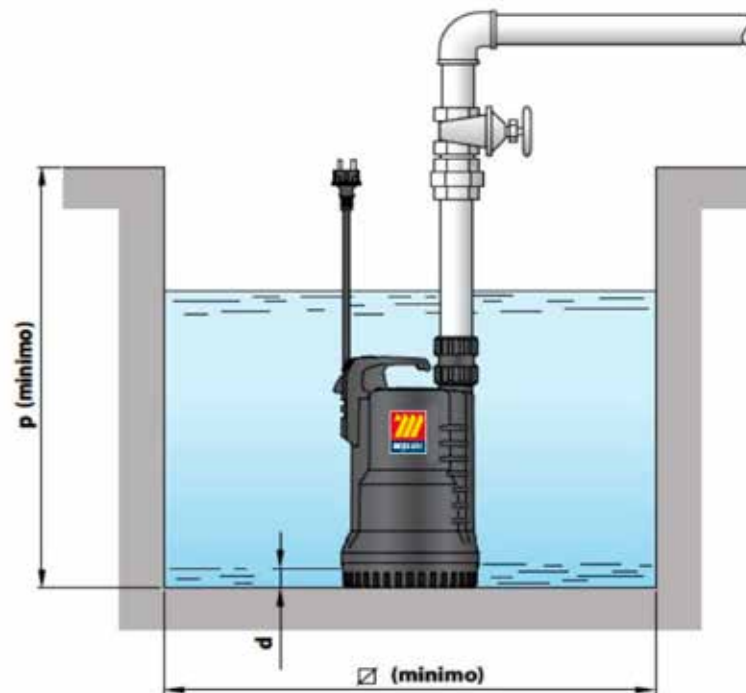


Technical Data

Ref.	Description	Voltage	Flow rate	Liquid. Max. Temper	Power	Cable lenght	Working cycle	Packaging
		AC V/Hz	l/min	°C	A	m	min	mm
098-7000-230	Mec-Ariel	230/50	70	+40	2	5	S1 (continuo)	235X195X370
098-7000-115	Mec-Ariel	115/60	70	+40	2	5	S1 (continuo)	235X195X370



Typical installation



Ref.	Entrance	Stages N°	Dimensions (mm)					Weight
			a	b	h	d	□	
098-7000-230	1 1/4"	2	180	170	295	25	220	6,30
098-7000-115	1 1/4"	2	180	170	295	25	115	6,30

Air-operated double diaphragm pumps have long been recognized as the most flexible pumps for handling difficult liquids at relatively low pressures and flows. The range of applications is virtually limitless. MECLUBE AODD pumps come in many sizes and choices of construction materials. Suitable for water, antifreeze, windscreen and DEF-AdBlue® transfer.



EX II 3/3 GD h IIB T4 135°C ATEX zone2

**Art. 028-P035-AB2 Air-operated double diaphragm pump
Meclube model P35**

Made in polypropylene

Compression ratio: 1:1
 Max flow rate: 35 l/min
 Fluid connection: 1/2" BSP
 Air connection: 6 mm
 Max air pressure: 8 bar
 Max delivery height: 70 m
 Max suction lift dry: 5,0 m
 Max suction lift wet: 9,8 m



EX II 3/3 GD h IIB T4 135°C ATEX zone2

**Art. 028-P055-AB2 Air-operated double diaphragm pump
Meclube model P55**

Made in polypropylene

Compression ratio: 1:1
 Max flow rate: 55 l/min
 Fluid connection: 1/2" BSP
 Air connection: 1/4" BSP
 Max air pressure: 8 bar
 Max delivery height: 80 m
 Max suction lift dry: 5,0 m
 Max suction lift wet: 9,8 m

Ref.	Casing	Diaphragm	Balls	Gasket	Fluids
------	--------	-----------	-------	--------	--------

028-P035-AB2	Polypropylene	Hytrel+Ptfe	Ptfe	Viton	Water-Anti-freeze-Windscreen- DEF-AdBlue®
028-P055-AB2	Polypropylene	Hytrel+Ptfe	Ptfe	Viton	Water-Anti-freeze-Windscreen- DEF-AdBlue®

Ref.	Flow rate	Max viscosity	Max.Temp.	Inlet-outlet	Weight	Packaging
	l/min	CPS	°C	BSPG	Kg	mm

028-P035-AB2	35	15000	65	1/2"	2,00	250X180X260
028-P055-AB2	55	20000	65	1/2"	4,00	310X195X290

Air-operated double diaphragm pumps have long been recognized as the most flexible pumps for handling difficult liquids at relatively low pressures and flows. The range of applications is virtually limitless. MECLUBE AODD pumps come in many sizes and choices of construction materials. Suitable for water, antifreeze, windscreen and DEF-AdBlue® transfer.



EX II 3/3 GD h IIB T4 135°C ATEX zone2

**Art. 028-P110-AB2 Air-operated double diaphragm pump
Meclube model P110**

Made in polypropylene

Compression ratio: 1:1
 Max flow rate: 110 l/min
 Fluid connection: 3/4" BSP
 Air connection: 3/8" BSP
 Max air pressure: 8 bar
 Max delivery height: 80 m
 Max suction lift dry: 5,0 m
 Max suction lift wet: 9,8 m



EX II 3/3 GD h IIB T4 135°C ATEX zone2

**Art. 028-P170-AB2 Air-operated double diaphragm pump
Meclube model P170**

Made in polypropylene

Compression ratio: 1:1
 Max flow rate: 170 l/min
 Fluid connection: 1" BSP
 Air connection: 1/2" BSP
 Max air pressure: 8 bar
 Max delivery height: 80 m
 Max suction lift dry: 5,0 m
 Max suction lift wet: 9,8 m

Ref.	Casing	Diaphragm	Blass	Gasket	Fluids
------	--------	-----------	-------	--------	--------

028-P110-AB2	Polypropylene	Hytrel+Ptfе	Ptfе	Viton	Water-Anti-freeze-Windscreen- DEF-AdBlue®
028-P170-AB2	Polypropylene	Hytrel+Ptfе	Ptfе	Viton	Water-Anti-freeze-Windscreen- DEF-AdBlue®

Ref.	Flow rate	Max viscosity	Max.Temp.	Inlet-outlet	Weight	Packaging
	l/min	CPS	°C	BSPG	Kg	mm

028-P110-AB2	110	25000	65	3/4"	5,50	310X195X290
028-P170-AB2	170	35000	65	1"	15,00	430X260X450

Manual/automatic nozzles for DEF-AdBlue® composed by plastic and stainless steel body, equipped with fixed and swiveling rubber holder. For their features they can be applied on every type of transfer system, also working for gravity only the manual ones.



Art. 099-5199-000 Manual plastic nozzle “AD90” for DEF-AdBlue®

Flow rate 90 l/min
Viton seals
Complete with hose-tail fitting
Swivel connection Ø 20



Art. 099-5200-000 Manual plastic nozzle stainless steel end “MP80” for DEF-AdBlue®

Flow rate 80 l/min
Viton seals
Plastic body with stainless steel end
Rubber holder Ø 20



Art. 099-5205-000 Automatic plastic nozzle stainless steel end “AP80” for DEF-AdBlue®

Flow rate 80 l/min
Viton seals
Plastic body with stainless steel end
Rubber holder Ø 20



Art. 099-5210-000 Automatic nozzle stainless steel “AD80” for DEF-AdBlue®

Flow rate 80 l/min
Viton seals
Stainless steel body
Swivel connection stainless steel Ø 20



Art. 099-5230-000 “Gravity kit” for DEF-AdBlue® transfer

Plastic nozzle with stainless steel end, flow rate 80 l/min, fitting d.20 “MP80”
Fitting for external connection for IBC S60x6
PVC spiral hose d.20x25 3 m length
Stainless steel clamps 20x32 mm



Art. 099-5250-000 Magnetic adaptor for DEF-AdBlue® tank

Ref.	Model	Fluid type	Flow rate l/min	Inlet-outlet BSPG	Weight Kg	Ø End mm	Packaging mm
099-5199-000	AD90	DEF	90	F 1" - 20	0,28	19,00	400X175X57
099-5200-000	MP80	DEF	80	F 1" - 20	0,40	19,00	400X175X57
099-5205-000	AP80	DEF	80	F 1" - 20	1,10	16,00	400X175X57
099-5210-000	AD80	DEF	80	F 1" - 20	2,60	16,00	400X175X57
099-5230-000	Gravity kit	DEF	80	F 1" - 20	4,50	19,00	410X400X320
099-5250-000	-	DEF	-	Ø21x Ø39	0,15	-	100X100X50

AUTOMATIC NOZZLE ZVA DEF-AdBlue® LV



Automatic dispensing nozzle for DEF-AdBlue® with Atex certificate. It is made of a stainless steel body and equipped with swiveling rubber holder with integrated flow regulator and adaptor EW22 to transfer into drums. It is suitable for the refueling of light vehicles < 3,5 t.

Art. 099-5220-000 ZVA Automatic nozzle for DEF-AdBlue® LV / Urea according to ISO 22241 (DEF/AUS/ARLA 32) for light vehicles < 3,5 t.



Nozzle with ATEX certificate (EX II 1G) Certificate Nr. SIRA 03ATEX9 487U
 Swivelling joint with integrated and certified flow regulator:
 TÜV - P-TÜ7-8113338228 ISO 2224
 DEF-AdBlue spout of Ø19 mm with integrated filter ISO 22241-5
 Nozzle with automatic shut-off, check valve, 1-speed lever latch with removable latch pin EB 280
 With block magnet for reed switch contact-less on/off switching in the nozzle boot.
 Complete with adaptor EW 22
 Maximum flow rate 10 l/min, recommended flow rate for service stations 5 l/min
 Viton seals
 Stainless steel body
 Stainless steel swivelling joint 1" BSP male

Depending on the vehicle model the filler inlet is normally located next to the Diesel filler inlet, or may be in the boot/trunk or the engine bay. Please follow your vehicle manufacturer's DEF-AdBlue® refilling instructions. Handling of the nozzle is similar to conventional ZVA nozzles. In order to dispense the nozzle must be pushed fully onto the filling point of the DEF-AdBlue® tank. Dispensing is done by pulling the lever. When the tank is full, the nozzle will shut off automatically.



Most light vehicles <3,5 t allow a trouble-free filling of the DEF-AdBlue® tanks with a flow rate of not more than 5 l/min. The nozzle should be adjusted to this value for daily operation.



Ref.	Flow rate	Pressure	Accuracy	Inlet	Weight	Packaging
	l/min	bar	%	BSPG	kg	mm
099-5220-000	5-10	3,5	+/- 0,5	M 1"	1,20	400x175x57

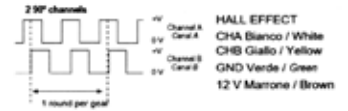
Turbine flow meter that features high precision performance for the measurement of DEF-AdBlue® for private use. The software enables full control of dispensing system thanks to the various functions featured. Applicable on motor pumps or for gravity. DEF-AdBlue® delivery filter complete with 20 µ cartridge and key. The filter headboard comes with a button for air discharge.



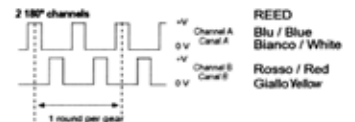
Art. 099-5124-000 Digital turbine flow meter for DEF-AdBlue® MEC 24
Min-max flow rate 5-120 l/min
 6 digits totalizer (not resettable)
 5 digits partial (resettable)
 Allowed fluids: DEF-AdBlue®, anti-freeze, windscreen



Art. 099-5170-040 Electronic pulsed flow meter for DEF-AdBlue® MGI-40
HALL EFFECT
 PVC body min-max flow rate 4-40 l/min
 Inlet-outlet connection F1"



Art. 099-5171-040 Electronic pulsed flow meter for DEF-AdBlue® MGI-40
REED
 PVC body
 Min-max flow rate 4-40 l/min



Art. 099-5240-020 DEF-AdBlue® transparent delivery filter
 Flow rate 60 l/min
 Inlet-outlet connection F1"
 Filtering capacity 20 µ
 Complete with key



Art. 099-5241-020 Cartridge for DEF-AdBlue® polypropylene filter
 For filter 60 l/min
 Filtering capacity 20 µ

Ref.	Flow rate	Pressure	Accuracy	Inlet-outlet	Weight	Packaging
	l/min	bar	%	BSPG	Kg	mm
099-5124-000	5-120	10	+/- 1	F 1" - F 1"	0,35	100X100X60
099-5170-040	4-40	10	+/- 0,8	F 1" - F 1"	1,00	159X100X141
099-5171-040	4-40	10	+/- 0,8	F 1" - F 1"	1,00	159X100X141
Ref.	filter capacity	Fluid	Flow rate	Inlet-outlet	Weight	Packaging
	µ	Type	l/min	BSPG	Kg	mm
099-5240-020	20	DEF-AdBlue®	60	F 1" - F 1"	1,00	150X245X165
099-5241-020	20	DEF-AdBlue®	-	-	0,06	Ø60Xh.126mm

Electronic control unit that offers high precision performance for the DEF-AdBlue® measurement and delivery for private use.



Art. 092-5200-230 Electronic control unit MecGest 110/230V 50Hz
Software included
preselection and multi-users consumption management



Art. 092-5220-000 Coded communication kit USB key reader for PC



Art. 092-5300-000 Red Key- Manager - nr. 1 pc.



Art. 092-5300-001 Blue key - User - nr. 1 pc.



Art. 092-5300-010 Kit blue keys - Users - 10 pcs



Art. 092-5350-001 Coded Kit Lan Connection USB - RS485



Art. 092-5402-100 Shielded cable signal 2 poles 100 m length



Art. 099-6600-000 Adaptor for suction hose SEC connection



Art. 099-6010-000 External suction hose connections for IBC S60X6



Art. 099-6020-006 Plastic foot valve with filter F 1"
Flow rate 80 l/min



Art. R1-9100-2006 Plastic fitting linear M 1" BSP - Ø 20



Art. R1-9100-2506 Plastic fitting linear M 1" BSP - Ø 25



Art. R1-9102-2006 Plastic fitting male 90° M 3/4" BSP - Ø 20



Art. R1-9105-2006 Plastic fitting female F 1" BSP - Ø 20



Art. R1-9106-2006 Plastic fitting 90° female F 1" BSP - Ø 20



Art. R1-9107-0606 Plastic fitting 90° F-F 1" BSP



Art. R1-9125-2006 Plastic fitting 90° male-female M/F 1" BSP
with rubber holder Ø 20



Art. R1-9120-0606 Plastic fitting 90° male-female M/F 1" BSP



Art. 099-6500-000 Suction hose M 56x4 SEC connection
For IBC tanks and Mauser, Greif barrels
1050 mm Length max



Art. 099-6500-010 Suction hose 2" BSP SEC connection
For IBC tanks and Mauser, Greif barrels
1050 mm Length max



Art. 099-6504-000 Drum adaptor AF2" 56x4 1" BSP
for Greif barrels



Art. 099-6504-010 Drum adaptor AF2" 70x6 1" BSP
for Mauser barrels



Art. 099-6505-000 Drum adaptor F 2" BSP - M 70x6
for Mauser barrels



Art. 099-6506-000 Drum adaptor F 2" BSP - M 56x4
for Greif barrels



Art. 099-6510-011 Suction kit PU spiral hose 1,10 m length with SEC connection
PVC spiral hose Ø 19x27
Inlet-outlet M 1" BSP
SEC valve connection



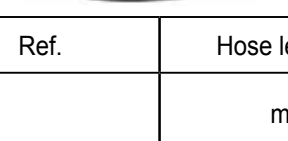
Art. 099-6512-015 Suction kit PU spiral hose 1,50 m length
PVC spiral hose Ø 19x27
Inlet-outlet M 1" BSP
Plastic foot valve+filter
Stainless steel clamps



Art. B27-1120-032 Stainless steel hose clamp F.9 20x32 mm



Art. B27-1132-035 Stainless steel hose clamp F.20 32x35 mm



Art. 921-0500-000 Antistatic rubber hose EPDM 20 bar 19x27 1.60m

Ref.	Hose lenght	Ø Hose	Dimensions	Weight	Packaging
	m	G	mm	Kg	mm
921-0500-020	2	3/4"	19x27	1,20	400X400X100
921-0500-040	4	3/4"	19x27	2,40	400X400X100
921-0500-060	6	3/4"	19x27	3,40	400X400X100
921-0500-100	10	3/4"	19x27	4,65	400X400X150

They are suitable for the DEF-AdBlue® transfer. They can be easily installed and removed from drums.



Art. 027-1325-P00 Manual lever pump for DEF-AdBlue®

Delivery capacity: 0,25 l stroke
 Telescopic shank for 50/220 l barrels
 Plastic drum adaptor 2" BSP -M 56x4
 Made in polypropylene, viton seals
 Suitable for anti-freeze, windscreen and DEF-AdBlue® transfer



Art. 099-3717-000 Hand lever pump for DEF-AdBlue®

Delivery capacity: 0,25 l stroke
 Telescopic shank for 50/220 l barrels e IBC 1000l
 Plastic drum adaptor 2" BSP -M 70x6
 Plastic drum adaptor 2" BSP -M 56x4
 Made in polypropylene, viton seals
 Suitable for anti-freeze, windscreen and DEF-AdBlue® transfer



Art. 099-3718-000 Hand lever pump for DEF-AdBlue®

Delivery capacity: 0,25 l stroke
 Telescopic shank for 50/220 l barrels e IBC 1000l
 Plastic drum adaptor 2" BSP -M 70x6
 Plastic drum adaptor 2" BSP -M 56x4
 Made in polypropylene, viton seals
 Equipped with hose retin Ø20 with plastic end Ø 20 3 m l
 Suitable for anti-freeze, windscreen and DEF-AdBlue® transfer

Ref.	Fluid	Spout	Delivery capacity	Weight	Packaging
	type	BSP / mm	l/min	Kg	mm
099-3717-000	DEF-AdBlue®	3/4"	0,25 pompata	1,40	510X240X110
099-3718-000	DEF-AdBlue®	20	0,25 pompata	2,70	510X240X110
027-1325-P00	DEF-AdBlue®	20	0,30 pompata	1,00	90X150X367

AUTOMATIC HOSE REELS



Our automatic hose reels with spring, fixed or swivelling, of varnished steel, stainless steel AISI 304 or motorized hydraulic, pneumatic and electric are suitable for flexible hoses for the delivery of compressed air, water, oil or similar, grease, diesel, antifreeze, windscreen and DEF-AdBlue®. They allow to unroll only the necessary hose length, improving their functionality. The rewinding of the hose is fast and safe and allows to have a tidy workplace. You always have a ready-to-use equipment that grant to all the staff to work safely.



Please consult the lubrication equipment catalogue

You can download it from the website “www.meclube.com”

Equipped with:

- Black antistatic synthetic rubber EPDM hoses
- AISI 316 stainless steel connections
- Stainless steel 90° swivelling joint
- Viton® seals
- Stainless steel reel shaft



F-400	Article	L. hose	Ø hose	Max pressure	Inlet-Outlet
	070-1209-400	without hose	-	-	F1/2"-M1/2"BSP
	070-1209-410	10 m	1/2"	20 bar	F1/2"-M1/2" BSP



F-460	Article	L. hose	Ø hose	Max pressure	Inlet-Outlet
	070-1309-400	without hose	-	-	F1/2"-M1/2" BSP
	070-1309-415	15 m	1/2"	20 bar	F1/2"-M1/2" BSP

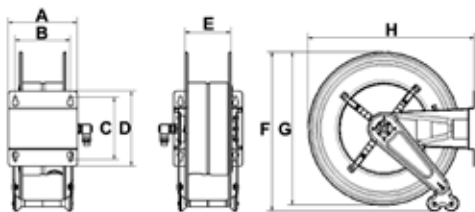





F-550	Article	L. hose	Ø hose	Max pressure	Inlet-Outlet
	070-1409-400	without hose	-	-	F1/2"-M1/2" BSP
	070-1409-500	without hose	-	-	F1"-M3/4" BSP
	070-1409-420	20 m	1/2"	20 bar	F1/2"-M1/2" BSP
	070-1409-425	25 m	1/2"	20 bar	F1/2"-M 1/2" BSP
	070-1409-510	10 m	3/4"	20 bar	F1"-M3/4" BSP
	070-1409-515	15 m	3/4"	20 bar	F1"-M3/4" BSP



F-555	Article	L. hose	Ø hose	Max pressure	Inlet-Outlet
	070-1509-500	without hose	-	-	F1"-M3/4" BSP
	070-1509-520	20 m	3/4"	20 bar	F1"-M3/4" BSP

OVERALL DIMENSIONS FIXED VERSION



Mod.	A	B	C	D	E	F	G	H			
F-400	158	120	168	192	95	460	400	435	12,50<19,50	0,084	1
F-460	158	120	168	192	95	490	460	490	16,50<23,00	0,094	1
F-550	200	150	225	270	120	590	550	600	22,00<45,00	0,130	1
F-555	250	200	225	270	170	590	550	600	26,00<53,00	0,150	1

SWIVELLING VARNISHED HOSE REELS FOR DEF-AdBlue® 20 bar



Equipped with:

- Black antistatic synthetic rubber EPDM hoses
- AISI 316 stainless steel connections
- Stainless steel 90° swivelling joint
- Viton® seals
- Stainless steel reel shaft

Article	L. hose	Ø hose	Max pressure	Inlet-Outlet	S-400
071-1209-400	without hose	-	-	F1/2"-M1/2" BSP	
071-1209-410	10 m	1/2"	20 bar	F1/2"-M1/2" BSP	



Article	L. hose	Ø hose	Max pressure	Inlet-Outlet	S-460
071-1309-400	without hose	-	-	F1/2"-M1/2" BSP	
071-1309-415	15 m	1/2"	20 bar	F1/2"-M1/2" BSP	



Article	L. hose	Ø hose	Max pressure	Inlet-Outlet	S-550
071-1409-400	without hose	-	-	F1/2"-M1/2" BSP	
071-1409-500	without hose	-	-	F1"-M3/4" BSP	
071-1409-420	20 m	1/2"	20 bar	F1/2"-M1/2" BSP	
071-1409-425	25 m	1/2"	20 bar	F1/2"-M 1/2" BSP	
071-1409-510	10 m	3/4"	20 bar	F1"-M3/4" BSP	
071-1409-515	15 m	3/4"	20 bar	F1"-M3/4" BSP	

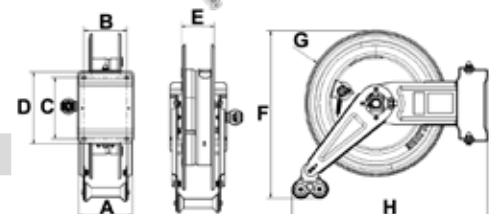


Article	L. hose	Ø hose	Max pressure	Inlet-Outlet	S-555
071-1509-500	without hose	-	-	F1"-M3/4" BSP	
071-1509-520	20 m	3/4"	20 bar	F1"-M3/4" BSP	



OVERALL DIMENSIONS SWIVELLING VERSION

Mod.	A	B	C	D	E	F	G	H	Kg	m ³	№
S-400	150	120	168	196	95	460	400	550	13,50<20,50	0,084	1
S-460	150	120	168	196	95	490	460	575	17,50<24,00	0,094	1
S-550	200	150	225	270	120	572	550	680	23,00<45,00	0,130	1
S-555	250	200	225	270	170	572	550	680	27,00<54,00	0,150	1



Equipped with:

- Black antistatic synthetic rubber EPDM hoses
- AISI 316 stainless steel connections
- AISI 316 stainless steel 90° swivelling joint
- Viton® seals



FX-400

Article	L. hose	Ø hose	Max pressure	Inlet-Outlet
070-2209-400	without hose	-	-	F1/2"-M1/2" BSP
070-2209-410	10 m	1/2"	20 bar	F1/2"-M1/2" BSP



FX-460

Article	L. hose	Ø hose	Max pressure	Inlet-Outlet
070-2309-400	without hose	-	-	F1/2"-M1/2" BSP
070-2309-415	15 m	1/2"	20 bar	F1/2"-M1/2" BSP



FX-550

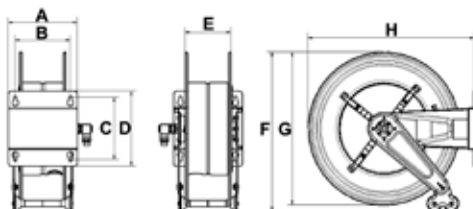
Article	L. hose	Ø hose	Max pressure	Inlet-Outlet
070-2409-400	without hose	-	-	F1/2"-M1/2" BSP
070-2409-500	without hose	-	-	F1"-M3/4" BSP
070-2409-420	20 m	1/2"	20 bar	F1/2"-M1/2" BSP
070-2409-425	25 m	1/2"	20 bar	F1/2"-M1/2" BSP
070-2409-510	10 m	3/4"	20 bar	F1"-M3/4" BSP
070-2409-515	15 m	3/4"	20 bar	F1"-M3/4" BSP




FX-555

Article	L. hose	Ø hose	Max pressure	Inlet-Outlet
070-2509-500	without hose	-	-	F1"-M3/4" BSP
070-2509-520	20 m	3/4"	20 bar	F1"-M3/4" BSP

OVERALL DIMENSIONS FIXED VERSION



Mod.	A	B	C	D	E	F	G	H			
FX-400	158	120	168	192	95	460	400	435	12,50<19,50	0,084	1
FX-460	158	120	168	192	95	490	460	490	16,50<23,00	0,094	1
FX-550	200	150	225	270	120	590	550	600	22,00<45,00	0,130	1
FX-555	250	200	225	270	170	590	550	600	26,00<53,00	0,150	1

SWIVELLING STAINLESS STEEL HOSE REELS FOR DEF-AdBlue® 20 bar



Equipped with:

- Black antistatic synthetic rubber EPDM hoses
- AISI 316 stainless steel connections
- AISI 316 stainless steel 90° swivelling joint
- Viton® seals

Article	L. hose	Ø hose	Max pressure	Inlet-Outlet	SX-400
071-2209-400	without hose	-	-	F1/2"-M1/2" BSP	
071-2209-410	10 m	1/2"	20 bar	F1/2"-M1/2" BSP	



Article	L. hose	Ø hose	Max pressure	Inlet-Outlet	SX-460
071-2309-400	without hose	-	-	F1/2"-M1/2" BSP	
071-2309-415	15 m	1/2"	20 bar	F1/2"-M1/2" BSP	



Article	L. hose	Ø hose	Max pressure	Inlet-Outlet	SX-550
071-2409-400	without hose	-	-	F1/2"-M1/2" BSP	
071-2409-500	without hose	-	-	F1"-M3/4" BSP	
071-2409-420	20 m	1/2"	20 bar	F1/2"-M1/2" BSP	
071-2409-425	25 m	1/2"	20 bar	F1/2"-M 1/2" BSP	
071-2409-510	10 m	3/4"	20 bar	F1"-M3/4" BSP	
071-2409-515	15 m	3/4"	20 bar	F1"-M3/4" BSP	

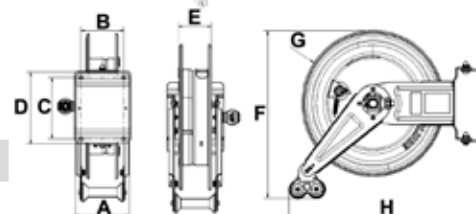


Article	L. hose	Ø hose	Max pressure	Inlet-Outlet	SX-555
071-2509-500	without hose	-	-	F1"-M3/4" BSP	
071-2509-520	20 m	3/4"	20 bar	F1"-M3/4" BSP	



OVERALL DIMENSIONS SWIVELLING VERSION

Mod.	A	B	C	D	E	F	G	H	Kg	m³	No.
SX-400	150	120	168	196	95	460	400	550	13,50<20,50	0,084	1
SX-460	150	120	168	196	95	490	460	575	17,50<24,00	0,094	1
SX-550	200	150	225	270	120	572	550	680	23,00<45,00	0,130	1
SX-555	250	200	225	270	170	572	550	680	27,00<54,00	0,150	1



Equipped with:

- AISI 316 stainless steel connections
- AISI 304 stainless steel 90° swivelling joint
- Viton® seals
- AISI 304 stainless steel revolving flick folding handgrip



FMX-400

Article	Equipped	Hose reel capacity	Inlet-Outlet
077-2209-400	without hose	Ø 1/2" - max 10 m	F1/2"-M1/2"BSP



FMX-460

Article	Equipped	Hose reel capacity	Inlet-Outlet
077-2309-400	without hose	Ø 1/2" - max 15 m	F1/2"-M1/2" BSP



FMX-550

Article	Equipped	Hose reel capacity	Inlet-Outlet
077-2409-400	without hose	Ø 1/2" - max 25 m	F1/2"-M1/2" BSP
077-2409-500	without hose	Ø 3/4" - max 15 m	F1"G-M3/4" BSP



FMX-555

Article	Equipped	Hose reel capacity	Inlet-Outlet
077-2509-400	without hose	Ø 1/2" - max 30 m	F1/2"-M1/2" BSP
077-2509-500	without hose	Ø 3/4" - max 20 m	F1"-M3/4" BSP

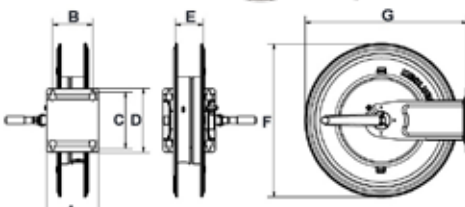


FMX-560

Article	Equipped	Hose reel capacity	Inlet-Outlet
077-2609-400	without hose	Ø 1/2" - max 50 m	F1/2"-M1/2" BSP
077-2609-500	without hose	Ø 3/4" - max 40 m	F1"-M3/4" BSP

OVERALL DIMENSIONS

Mod.	A	B	C	D	E	F	G			
FMX-400	158	120	168	192	95	400	435	8,85<8,85	0,084	1
FMX-460	158	120	168	192	95	460	500	10,71<1w,80	0,094	1
FMX-550	200	150	225	270	120	550	600	15,96<16,33	0,130	1
FMX-555	250	200	225	270	170	550	600	17,22<17,83	0,150	1
FMX-560	440	390	225	270	360	550	600	25,75<26,38	0,240	1



AUTOMATIC HOSE REELS IN AISI 304 STAINLESS STEEL SERIES HEAVY - DUTY FOR DEF-AdBlue® 20 bar



Equipped with:

- Black antistatic synthetic rubber EPDM hoses
- AISI 316 stainless steel connections
- AISI 316 stainless steel 90° swivelling joint
- Viton® seals

Article	L. hose	Ø hose	Max pressure	Inlet-Outlet	HDX-460
073-2309-400	without hose	-	-	F1/2"-M1/2" BSP	
073-2309-410	10 m	1/2" - 12,7x21	20 bar	F1/2"-M1/2" BSP	
073-2309-415	15 m	1/2" - 12,7x21	20 bar	F1/2"-F1/2" BSP	



Article	L. hose	Ø hose	Max pressure	Inlet-Outlet	HDX-550
073-2409-400	without hose	-	-	F1/2"-M1/2" BSP	
073-2409-500	without hose	-	-	F1"-M3/4" BSP	
073-2409-420	20 m	1/2"	20 bar	F1/2"-M1/2" BSP	
073-2409-425	25 m	1/2"	20 bar	F1/2"-M 1/2" BSP	
073-2409-510	10 m	3/4"	20 bar	F1"-M3/4" BSP	
073-2409-515	15 m	3/4"	20 bar	F1"-M3/4" BSP	

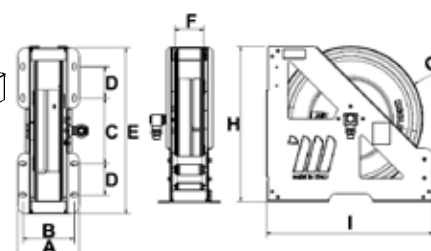


Article	L. hose	Ø hose	Max pressure	Inlet-Outlet	HDX-555
073-2509-500	without hose	-	-	F1"-M3/4" BSP	
073-2509-520	20 m	3/4"	20 bar	F1"-M3/4" BSP	



OVERALL DIMENSIONS

Mod.	A	B	C	D	E	F	G	H	I			
HDX-460	196	163	209	100	529	95	460	495	534	22,60<27,00	0,072	1
HDX-550	230	197	324	100	644	120	550	597	649	39,05<46,03	0,120	1
HDX-555	280	247	324	100	644	170	550	597	649	50,50<59,65	0,145	1



Digital turbine flow meter offers high precision performance for the measurement of private use liquid food-stuff (milk, oil, water...). The software enables full control of dispensing system thanks to the various functions featured. Applicable on motor pumps or for gravity.



**Art. 100-5120-000 Digital turbine flow meter IN-LINE food
min-max flow rate 10-150 l/min**

6 digits totalizer (non resettable)
6 digits partial (resettable)
Allowed fluids: (milk, oil, water...)



Art. 100-5199-020 Manual plastic nozzle "F120" for food

Flow rate 120 l
PTFE seals
Plastic body
Swivel connection Ø 20



Art. 100-5199-025 Manual plastic nozzle "F120" for food

Flow rate 120 l
PTFE seals
Plastic body
Swivel connection Ø 25

Ref.	Flow rate	Pressure	Accuracy	Inlet-outlet	Weight	Packaging
	l/min	bar	%	BSPG	Kg	mm

100-5120-000	10-150	3,5	+/- 0,5	F 1" - F 1"	0,35	145X135X85
100-5199-020	120	10	-	F 1" - 20	0,28	400X175X57
100-5199-025	120	10	-	F 1" - 25	0,28	400X175X57

Suitable to transfer chemical products. It is prearranged for the direct application on the drum.

Art. 100-3725-000 Stainless steel manual pump for AISI 316 for chemical products transfer

Delivery capacity: 0,125 l/stroke
 With adaptor for drum connection
 Shank 550 < 940 lenght for drums to 20 < 220 l
 PTFE seals



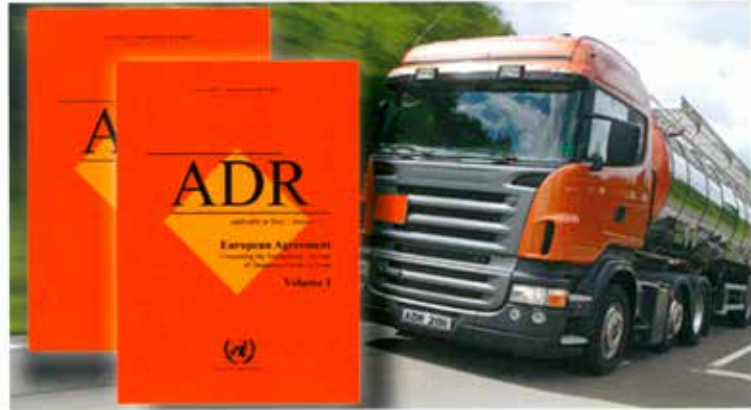
Art. 030-1390-000 Trolley for plastic drums 20 < 30 l

EQUIPPED WITH:
 nr. 2 wheels Ø 100 mm
 Base dimension 215x275 mm

Ref.	Delivery capacity	for drums	Inlet-outlet	Weight	Packaging
	l/stroke	l	BSPG	Kg	mm

100-3725-000	0,125	20<220	F 1/2"	2,10	740X205X95
030-1390-000	-	20<30	-	3,70	550X270X120

European agreement concerning the international carriage of dangerous goods by road



The carriage of dangerous goods by road is regulated by an international Agreement (ADR) which is regularly amended and updated every two years. The original agreement was called "The European Agreement concerning the International Carriage of Dangerous Goods by Road (AOR)" and was signed at Geneva on 30 September 1957. Currently the number of countries which adhere to ADR is 48. The Agreement itself is short and simple. It consists of 17 articles which contain legislative principles and the procedures for Agreement subscription, application and revision, and of two Annexes that list all the instruction and provisions; Annex A contains the conditions for the goods in question, in particular as regards their packaging and labelling, and in Annex 8 are laid down the provision regarding the construction, equipment and operation of the vehicles carrying the dangerous goods.

In summary ADR regulations concern:

- Classification of dangerous goods with reference to transport by road.
- Dangerous Goods List; special provisions related to dan-

EXEMPTIONS:

Annex A, in addition to provisions concerning dangerous substances and articles, specifies the exemptions relative to the transport on road of dangerous goods; in accordance with these exemptions it is possible to carry ADR goods in compliance with the quantities listed in par. 1.1.3.6 without any UN-approved package, driver with training certificate or safety labeled and equipped vehicle. In the matter in question these exemptions refer to:

- exemptions related to the nature of the transport operation;
- exemptions related to quantities carried per transport unit.

EXEMPTIONS RELATED TO THE NATURE OF THE TRANSPORT OPERATION (TOTAL EXEMPTION PAR.1.1.3.1 ADR).

(a) The carriage of dangerous goods by private in individuals where the goods in question are packaged for retail sale and are intended for their personal or domestic use or for their leisure or sporting activities provided that measures have been taken to prevent any leakage of contents in normal conditions of carriage. When these goods are flammable liquids carried in refillable receptacles filled by, or for, a private individual, the total quantity shall not exceed 60 liters per receptacle and 240 liters per transport unit. Dangerous goods in IBCs, large packagings or tanks are not considered to be packaged for retail sale.

(c) The carriage undertaken by enterprises which is ancillary to their main activity, such as deliveries to

gerous goods packed in limited quantities.

- Packaging and containers provisions.
- Construction and testing of packagings.
- Construction and approval of vehicles.
- Conditions of carriage, loading, unloading and handling.
- Vehicle crews, equipment, operation and documentation.
- Total and partial exemptions.

Dangerous goods are defined on the basis of their properties and are divided into Classes. The Classes of dangerous goods, according to ADR, are the following:

- Class 1 - Explosive substances and articles.
- Class 2 - Gases.
- Class 3 - Flammable liquids.
- Class 4.1- Flammable solids, self-reactive substances and solid desensitized explosives.
- Class 4.2 - Substances liable to spontaneous combustion.
- Class 4.3 - Substances which, in contact with water, emit flammable gases.
- Class 5.1 - Oxidizing substances

or returns from building or civil engineering sites, or in relation to surveying, repairs and maintenance, in quantities of not more than 450 liters per packaging and within the maximum quantities specified in par. 1.1.3.6. Measures shall be taken to prevent any leakage of contents in normal conditions of carriage. These exemptions do not apply to Class 7. Carriage undertaken by such enterprises for their supply or external or internal distribution does not fall within the scope of this exemption.

EXEMPTIONS RELATED TO QUANTITIES CARRIED PER TRANSPORT UNIT (PARTIAL EXEMPTION PAR. 1.1.3.6 ADR).

In accordance with this article, transport of dangerous goods can be partially exempt from ADR prescriptions if the quantity carried does not exceed the value indicated in a specific table (1.1.3.6.3). Transports under par. 1.1.3.6 have the following exemptions to the regulations;

- vehicle need not have orange Plates displayed;
- no requirement to have instructions in writing;
- driver does not need ADR Vocational licence, but will need awareness training.

in particular, for petroleum products:

- for goods belonging to Packaging Group II (i.e. gasoline) the maximum quantity carried per transport unit is 333 l;
- for goods belonging to Packaging Group III (i.e. Diesel Fuel, kerosene) the maximum quantity carried per transport unit is 1.000 L

- Class 5.2 - Organic peroxides.
- Class 6.1 - Toxic substances.
- Class 6.2 - Infectious substances.
- Class 7 - Radioactive material.
- Class 8 - Corrosive substances.
- Class 9 - Miscellaneous dangerous substances and articles.

From a quantitative point of view, the dangerous goods more prevalent on the roads are the petroleum products (Class 3 - Flammable liquids), in particular the products with number: UN 1202 (Diesel fuel), UN 1203 (gasoline) and UN1223 (kerosene).

IN SUMMARY:

- Partial Exemption: in accordance with par. 1.1.3.6, the maximum quantities which can be carried per transport unit are:

	Max Quantity (L)	Container Type
Diesel fuel	1000	UN Approved - ADR Homologated for Dangerous Goods of Class 3 and Packaging Group III.
Gasoline	333	UN Approved - ADR Homologated for Dangerous Goods of Class 3 and Packaging Group II.

- Total Exemption- in accordance with par. 1.1.3.1, the maximum quantities which can be carried are:

• par. 1.1.3.1 a), for private individuals:

	Max Quantity (L)	Container Type
Diesel Fuel and Gasoline	240 l, with a max of 60 l per unit.	Adequate for the purpose.

• par. 1.1.3.1 c), for enterprises:

	Max Quantity (L)	Tipi di contenitore
Diesel fuel	450	Adequate for the purpose.
Gasoline	333	Adequate for the purpose.

GENERAL SALES CONDITIONS



When ordering please use the part numbers indicated in the catalogue.

Claims will not be accepted if we receive them 8 (eight) days after the reception of the order.

After this period the goods will be considered tacitly accepted.

The goods travel at customer's risk, even if Meclube organizes DAP shipment.

Except previously agreed, all prices are to be intended EX WORKS Bondeno di Gonzaga (MN), Incoterms 2020.

In case of late payments for any reason, including missed reception of statements of account, the buyer has to pay to the seller the annual interest in force at the moment of the sale, in the amount indicated on the invoice.

Any change of faulty products can be made to MECLUBE according to DAP Incoterms, and after having received our authorization.

The company MECLUBE takes no responsibilities for missing goods or damaged parcels caused by the shipment.

For any controversy only the Court of Mantua will entertain jurisdiction.

Specifications, dimensions, features and colours reported in this catalogue are not binding, and due to continuous performance enhancements of equipment and accessories, can be modified without any notice.

EDITION 20/04/2026

Foto F.lli ZAMBRONI

MADE IN ITALY



MECLUBE srl

Strada Pavese, 13 - Loc. Bondeno
46023- Gonzaga (MN) - ITALIA
Tel. +39 0376 595006 - +39 0376 595035
Fax +39 0376 54144
info@meclube.com

www.meclube.com